

NOTES:

100 STEEL SERIES

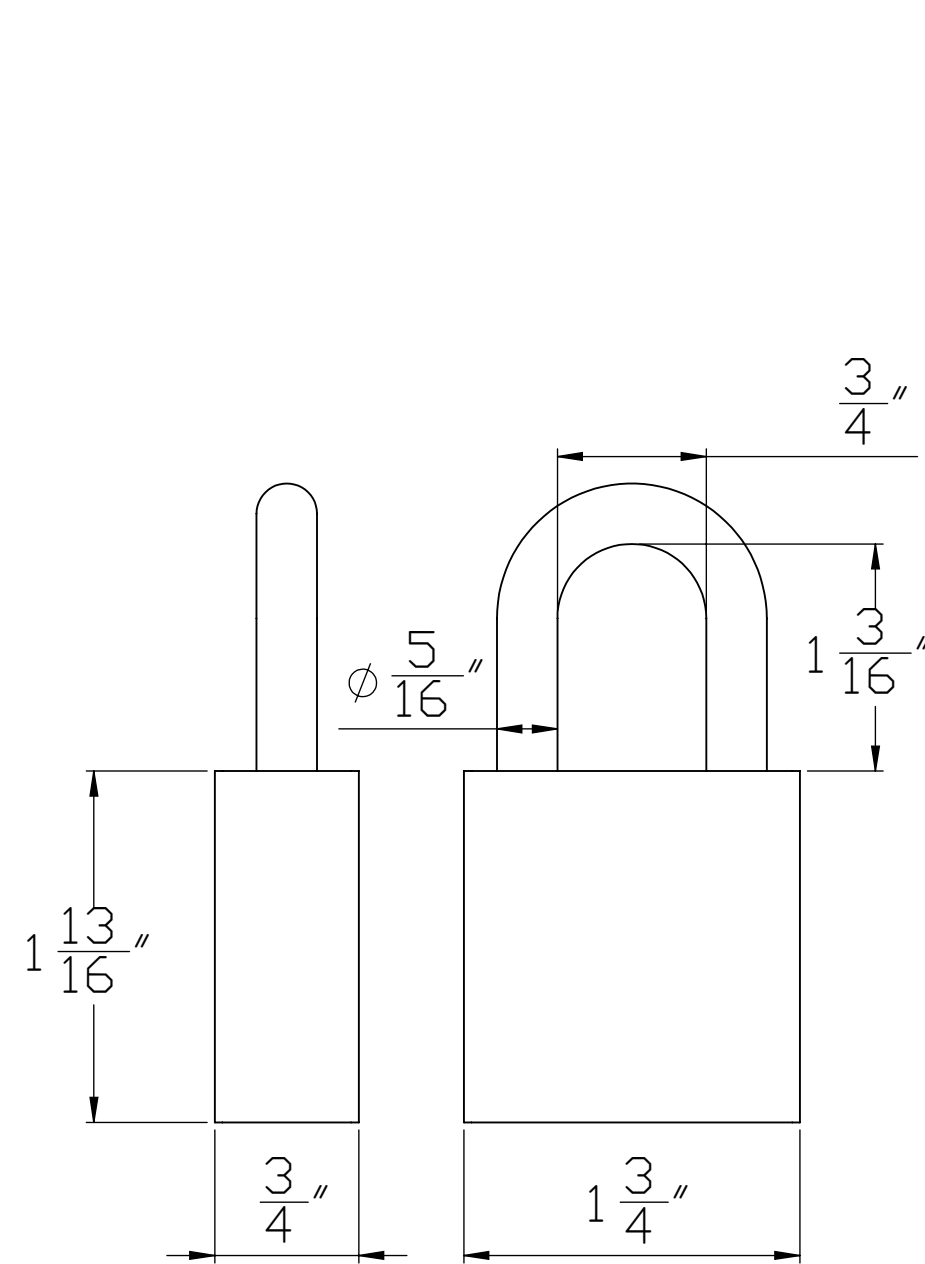
MATERIAL: SOLID STEEL PADLOCK BODY.  
 FINISH: ELECTROLESS NICKEL PLATED BODY, CHROME ELECTROPLATED SHACKLE.  
 CYLINDER: 6-PIN, HIGH SECURITY SERRATED AND SPOOL TOP PINS, BUMP-RESISTANT DRIVER PIN.  
 INTERNAL: DUAL BALL-BEARING TOE AND HEEL LOCKING DESIGN

100A ALUMINUM SERIES

MATERIAL: SOLID ALUMINUM PADLOCK BODY.  
 FINISH: ANODIZED BODY, CHROME ELECTROPLATED SHACKLE.  
 CYLINDER: 6-PIN, HIGH SECURITY SERRATED AND SPOOL TOP PINS, BUMP-RESISTANT DRIVER PIN.  
 INTERNAL: DUAL BALL-BEARING TOE AND HEEL LOCKING DESIGN

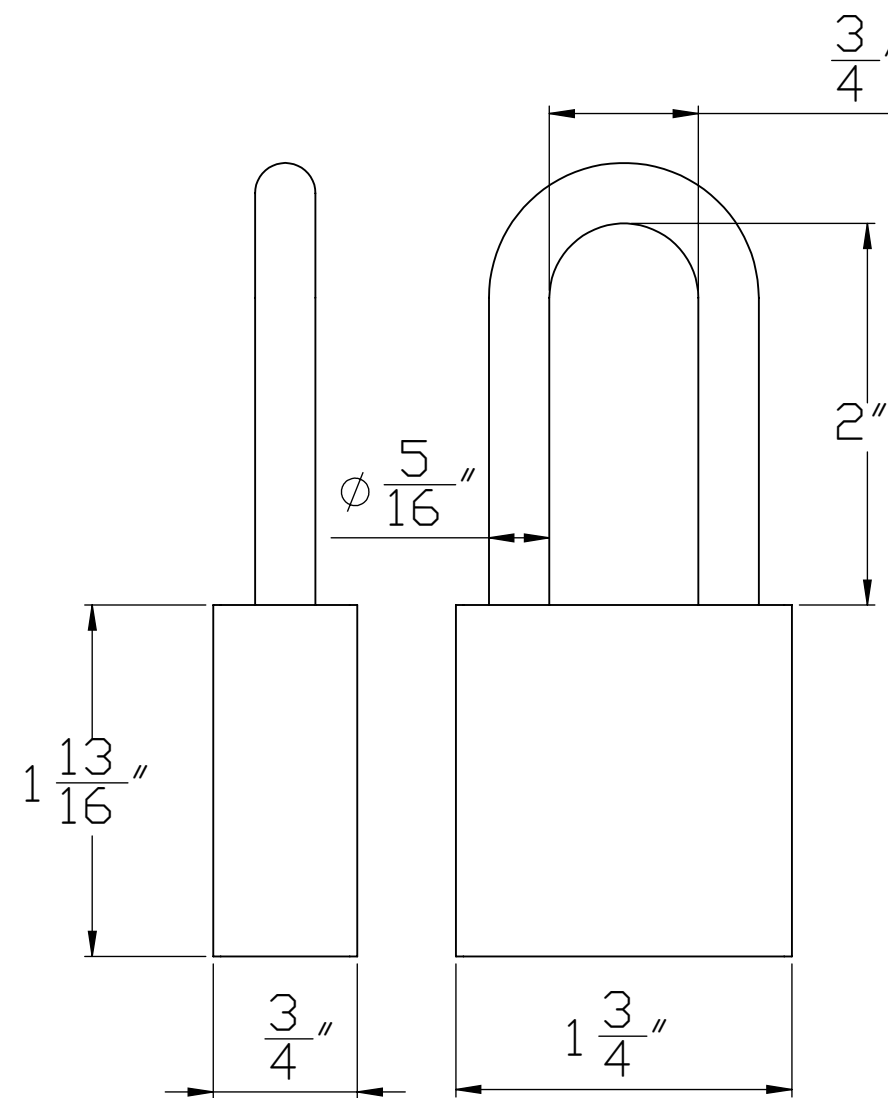
150 BRASS SERIES

MATERIAL: SOLID BRASS PADLOCK BODY.  
 FINISH: ELECTROLESS NICKEL PLATED BODY, CHROME ELECTROPLATED SHACKLE.  
 CYLINDER: 6-PIN, HIGH SECURITY SERRATED AND SPOOL TOP PINS, BUMP-RESISTANT DRIVER PIN.  
 INTERNAL: DUAL BALL-BEARING TOE AND HEEL LOCKING DESIGN



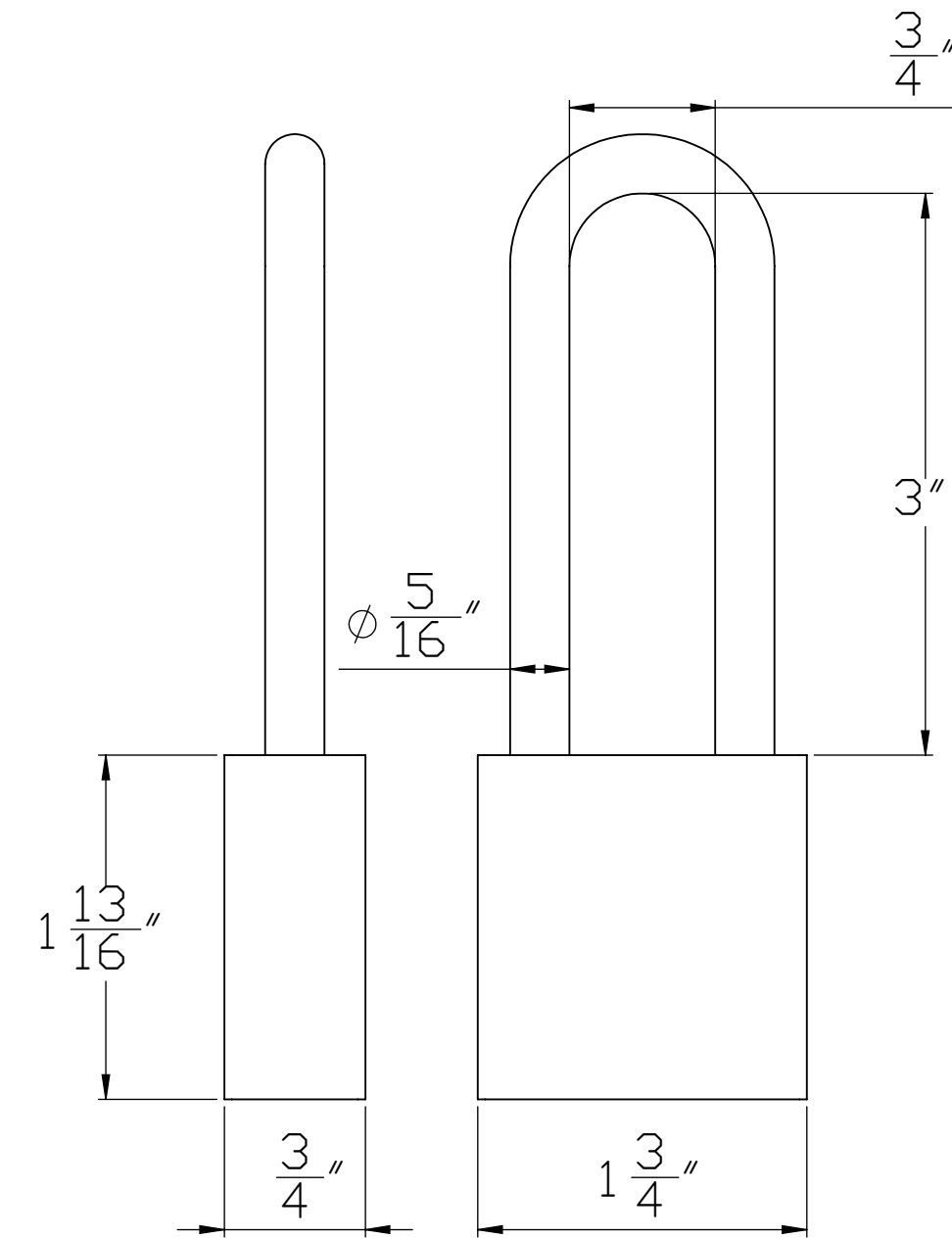
1" SHACKLE

AVAILABLE IN  
 CASE HARDENED STEEL  
 STAINLESS STEEL



2" SHACKLE

AVAILABLE IN  
 CASE HARDENED STEEL  
 STAINLESS STEEL



3" SHACKLE

AVAILABLE IN  
 CASE HARDENED STEEL  
 STAINLESS STEEL

UNLESS OTHERWISE SPECIFIED:		NAME	DATE	<b>PACIFIC LOCK COMPANY</b> 25605 Hercules Street, Valencia CA 91355 Tel: (888)562-5565 Fax: (661)294-3097
DIMENSIONS ARE IN INCHES	DRAWN	M. Yuen	10/14/14	
TOLERANCES:	ENG APPROVAL	M. Yuen	10/14/14	TITLE:
0 ±.020	MFG APPROVAL			SIZE DWG. NO. REV
.00 ±.010				<b>C</b> 100 Series Tech Data Sheet
.000 ±.003				SCALE: 1:1 WEIGHT: SHEET 1 OF 1
ANGULAR: ±1 DEGREE				
MATERIAL				
FINISH				
DO NOT SCALE DRAWING				