

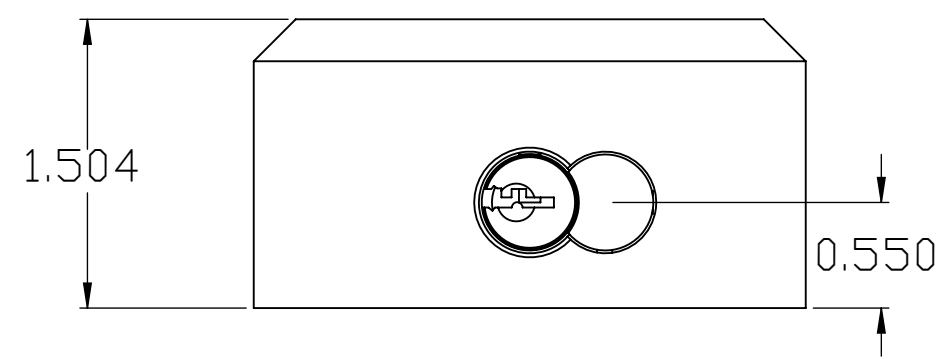
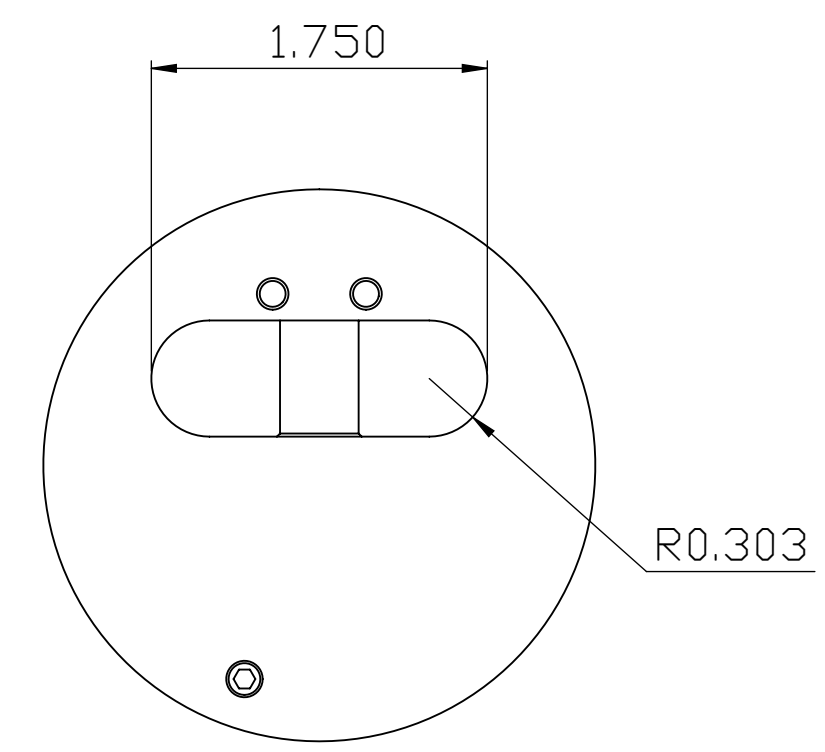
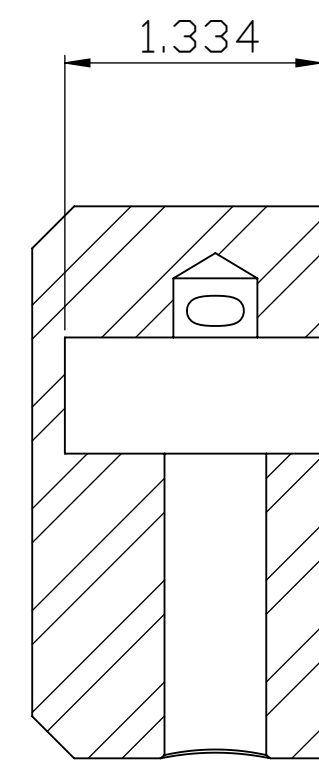
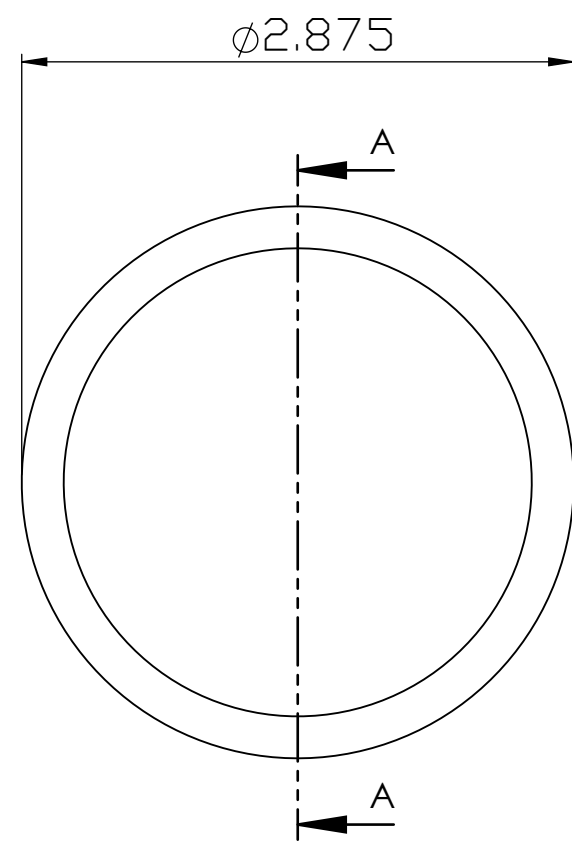
NOTES:

2170 STEEL SERIES

MATERIAL: CASE HARDENED SOLID STEEL PADLOCK BODY, CASE HARDENED SHACKLE.
 FINISH: ELECTROLESS NICKEL PLATED BODY, CHROME ELECTROPLATED SHACKLE.
 CYLINDER: 6-PIN, HIGH SECURITY SERRATED AND SPOOL TOP PINS, BUMP-RESISTANT DRIVER PIN.

2170A ALUMINUM SERIES

MATERIAL: SOLID ALUMINUM PADLOCK BODY, CASE HARDENED SHACKLE.
 FINISH: ANODIZED BODY, CHROME ELECTROPLATED SHACKLE.
 CYLINDER: 6-PIN, HIGH SECURITY SERRATED AND SPOOL TOP PINS, BUMP-RESISTANT DRIVER PIN.



UNLESS OTHERWISE SPECIFIED: DIMENSIONS ARE IN INCHES TOLERANCES: 0 ±.020 .00 ±.010 .000 ±.003 ANGULAR: ±1 DEGREE	DRAWN	J. Fleagane	4/23/2018	PACIFIC LOCK COMPANY 25605 Hercules Street, Valencia CA 91355 Tel: (888)562-5565 Fax: (661)294-3097
	ENG APPROVAL	J. Fleagane	4/23/2018	
	MFG APPROVAL			
	MATERIAL			
FINISH				SIZE DWG. NO. REV
DO NOT SCALE DRAWING				C 2170 Series Tech Data
				SCALE: 2:1 WEIGHT: SHEET 1 OF 1