

NOTES:

100-IC STEEL SERIES

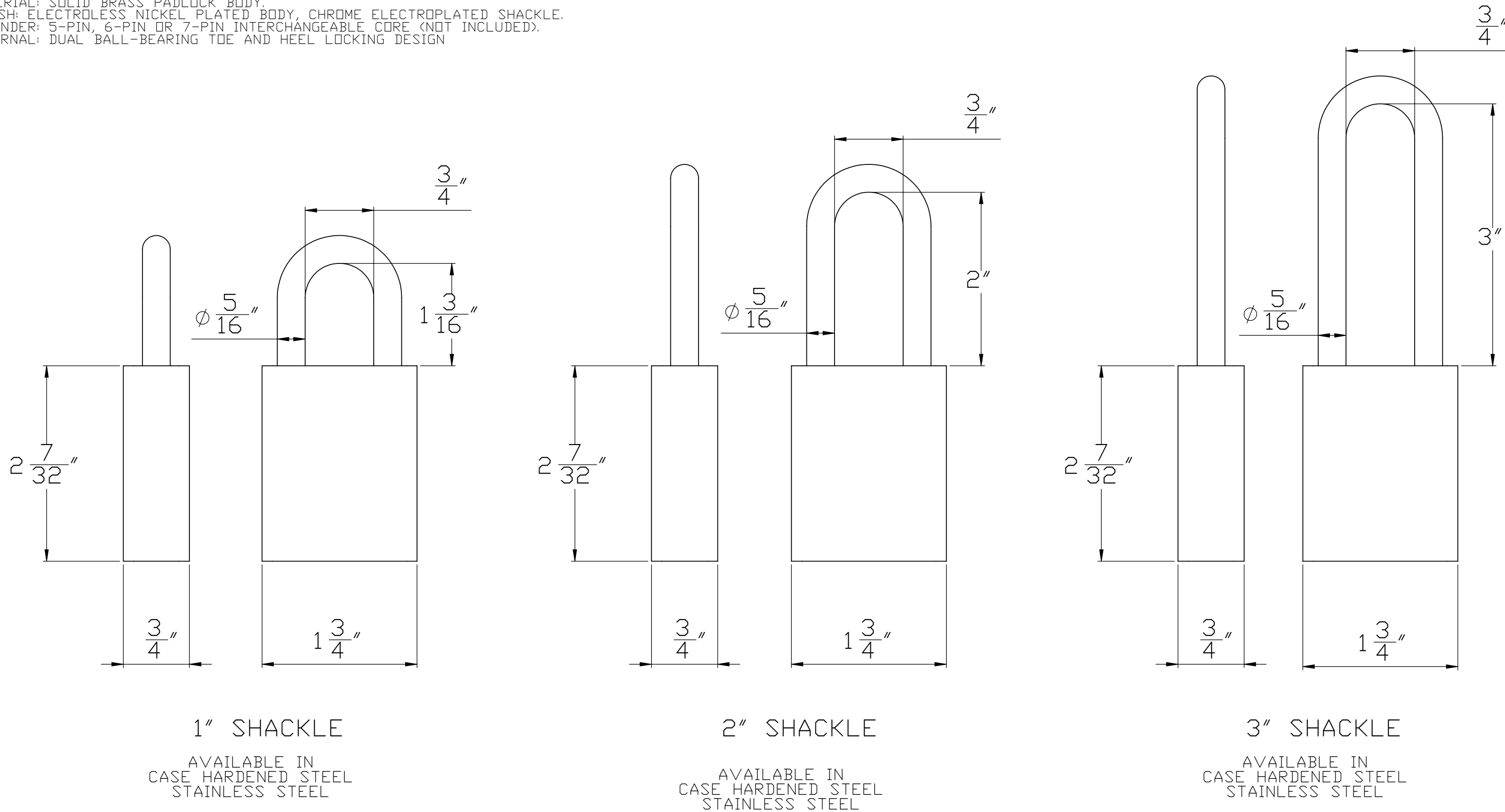
MATERIAL: SOLID STEEL PADLOCK BODY.
 FINISH: ELECTROLESS NICKEL PLATED BODY, CHROME ELECTROPLATED SHACKLE.
 CYLINDER: 5-PIN, 6-PIN OR 7-PIN INTERCHANGEABLE CORE (NOT INCLUDED).
 INTERNAL: DUAL BALL-BEARING TOE AND HEEL LOCKING DESIGN

100A-IC ALUMINUM SERIES

MATERIAL: SOLID ALUMINUM PADLOCK BODY.
 FINISH: ANODIZED BODY, CHROME ELECTROPLATED SHACKLE.
 CYLINDER: 5-PIN, 6-PIN OR 7-PIN INTERCHANGEABLE CORE (NOT INCLUDED).
 INTERNAL: DUAL BALL-BEARING TOE AND HEEL LOCKING DESIGN

150-IC BRASS SERIES

MATERIAL: SOLID BRASS PADLOCK BODY.
 FINISH: ELECTROLESS NICKEL PLATED BODY, CHROME ELECTROPLATED SHACKLE.
 CYLINDER: 5-PIN, 6-PIN OR 7-PIN INTERCHANGEABLE CORE (NOT INCLUDED).
 INTERNAL: DUAL BALL-BEARING TOE AND HEEL LOCKING DESIGN



UNLESS OTHERWISE SPECIFIED:		NAME	DATE	PACIFIC LOCK COMPANY 25605 Hercules Street, Valencia CA 91355 Tel: (888)562-5565 Fax: (661)294-3097
DIMENSIONS ARE IN INCHES	DRAWN	M. Yuen	10/21/14	
TOLERANCES: 0 ±.020 .00 ±.010 .000 ±.003 ANGULAR: ±1 DEGREE	ENG APPROVAL	M. Yuen	10/21/14	
MATERIAL	MFG APPROVAL			TITLE:
FINISH				SIZE DWG. NO. REV
DO NOT SCALE DRAWING				C 100-IC Tech Data Sheet
				SCALE: 1:1 WEIGHT: SHEET 1 OF 1