

NOTES:

200-IC STEEL SERIES

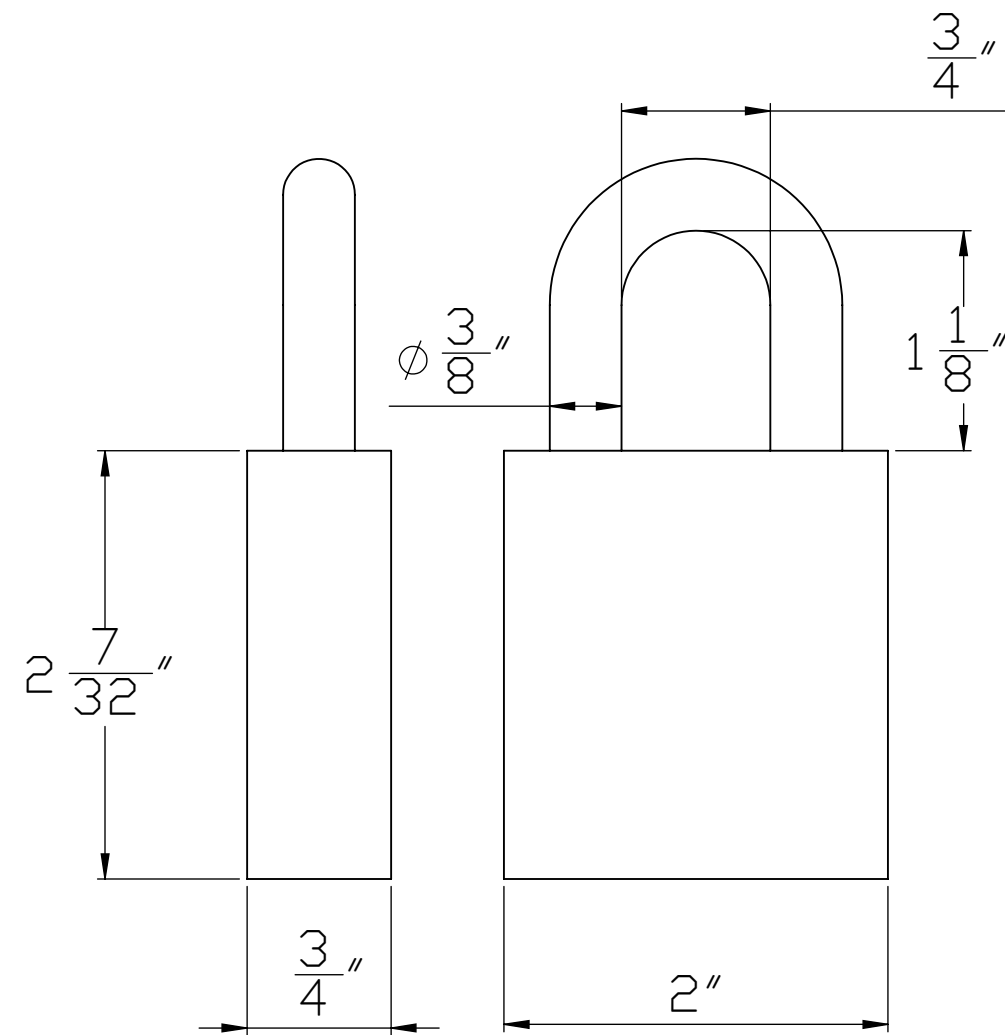
MATERIAL: SOLID STEEL PADLOCK BODY.  
 FINISH: ELECTROLESS NICKEL PLATED BODY, CHROME ELECTROPLATED SHACKLE.  
 CYLINDER: 5-PIN, 6-PIN OR 7-PIN INTERCHANGEABLE CORE (NOT INCLUDED).  
 INTERNAL: DUAL BALL-BEARING TOE AND HEEL LOCKING DESIGN

200A-IC ALUMINUM SERIES

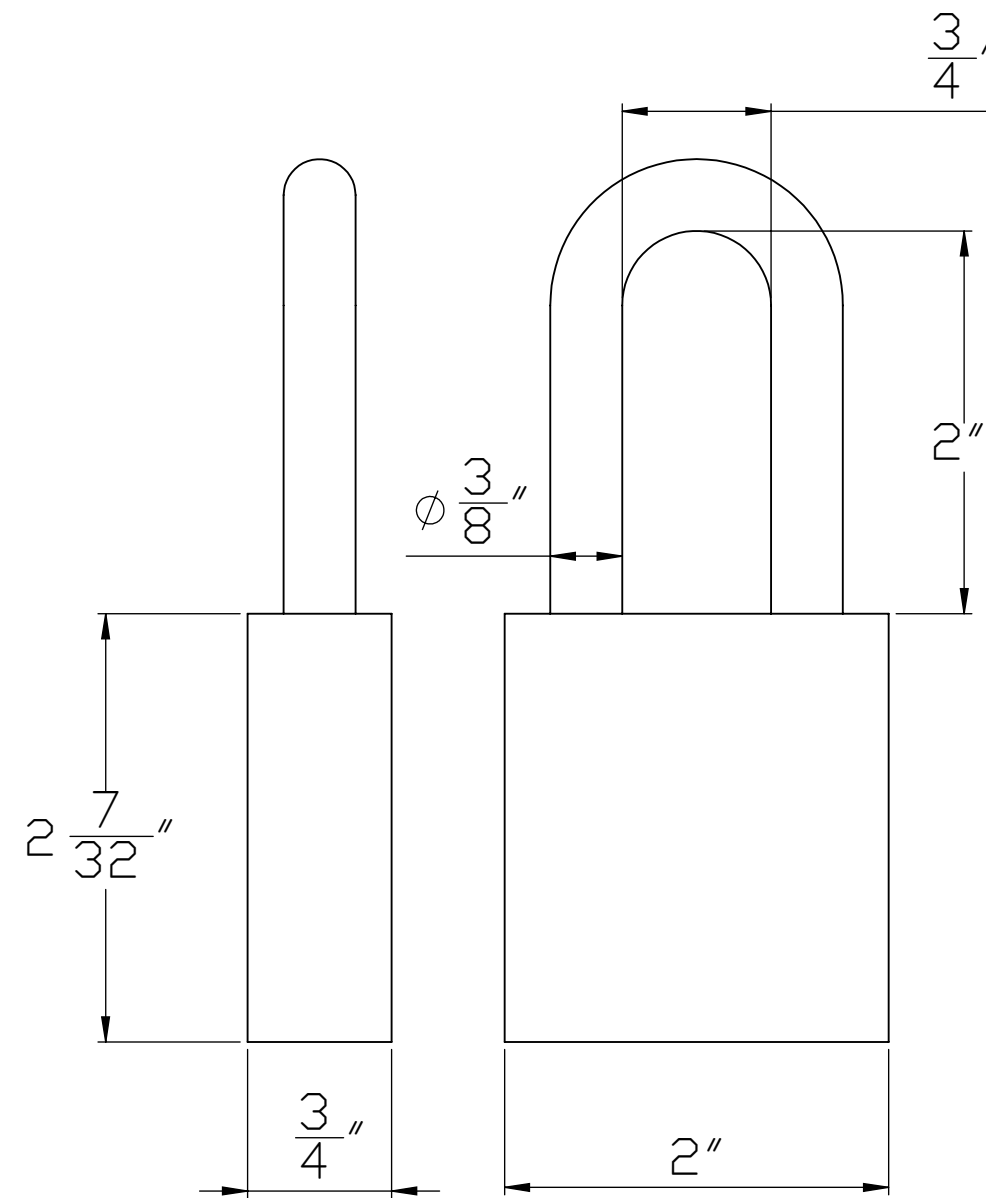
MATERIAL: SOLID ALUMINUM PADLOCK BODY.  
 FINISH: ANODIZED BODY, CHROME ELECTROPLATED SHACKLE.  
 CYLINDER: 5-PIN, 6-PIN OR 7-PIN INTERCHANGEABLE CORE (NOT INCLUDED).  
 INTERNAL: DUAL BALL-BEARING TOE AND HEEL LOCKING DESIGN

250-IC BRASS SERIES

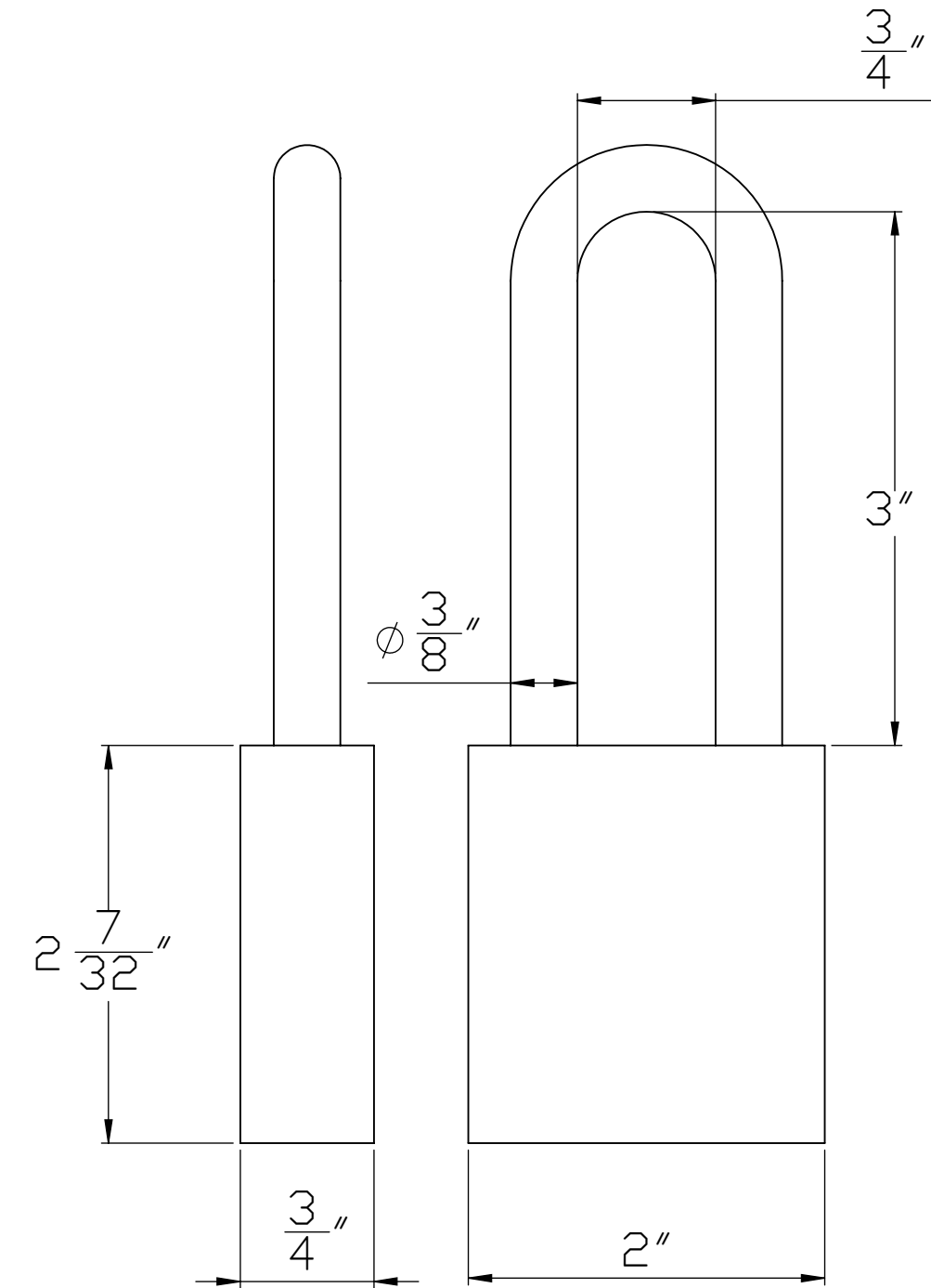
MATERIAL: SOLID BRASS PADLOCK BODY.  
 FINISH: ELECTROLESS NICKEL PLATED BODY, CHROME ELECTROPLATED SHACKLE.  
 CYLINDER: 5-PIN, 6-PIN OR 7-PIN INTERCHANGEABLE CORE (NOT INCLUDED).  
 INTERNAL: DUAL BALL-BEARING TOE AND HEEL LOCKING DESIGN



1" SHACKLE  
 AVAILABLE IN  
 CASE HARDENED STEEL  
 STAINLESS STEEL



2" SHACKLE  
 AVAILABLE IN  
 CASE HARDENED STEEL  
 STAINLESS STEEL



3" SHACKLE  
 AVAILABLE IN  
 CASE HARDENED STEEL  
 STAINLESS STEEL

UNLESS OTHERWISE SPECIFIED:		NAME	DATE	<b>PACIFIC LOCK COMPANY</b> 25605 Hercules Street, Valencia CA 91355 Tel: (888)562-5565 Fax: (661)294-3097
DIMENSIONS ARE IN INCHES	DRAWN	M. Yuen	10/24/14	
TOLERANCES:	ENG APPROVAL	M. Yuen	10/24/14	TITLE:
0 ±.020	MFG APPROVAL			SIZE DWG. NO. REV
.00 ±.010				<b>C</b> 200-IC Tech Data Sheet
.000 ±.003				SCALE: 1:1 WEIGHT: SHEET 1 OF 1
ANGULAR: ±1 DEGREE				
MATERIAL				
FINISH				
DO NOT SCALE DRAWING				