

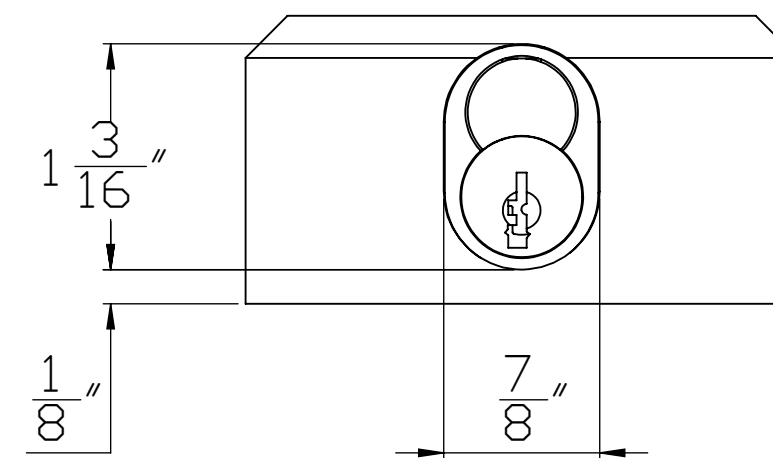
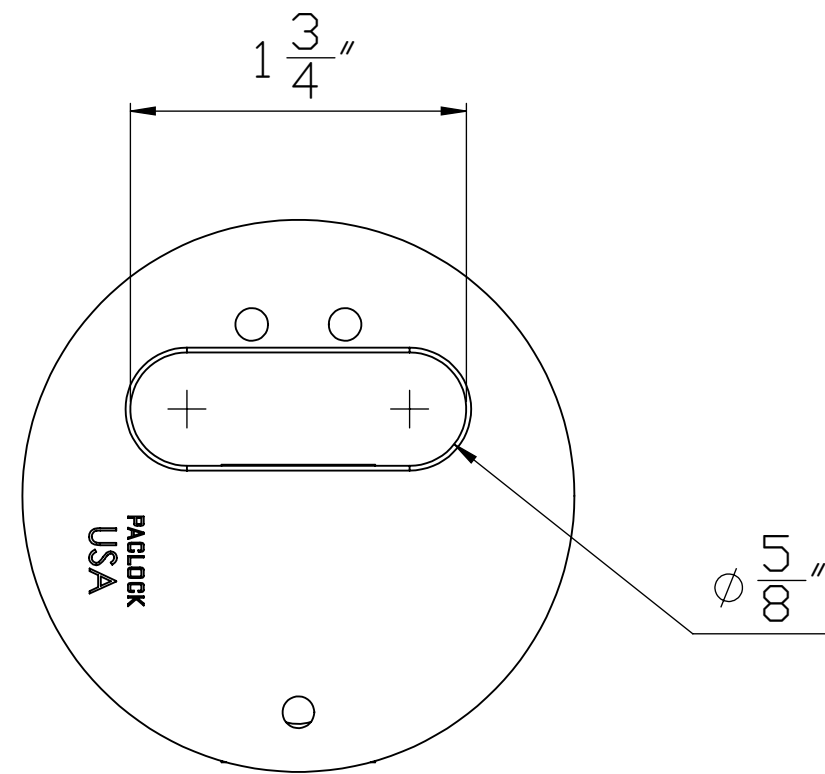
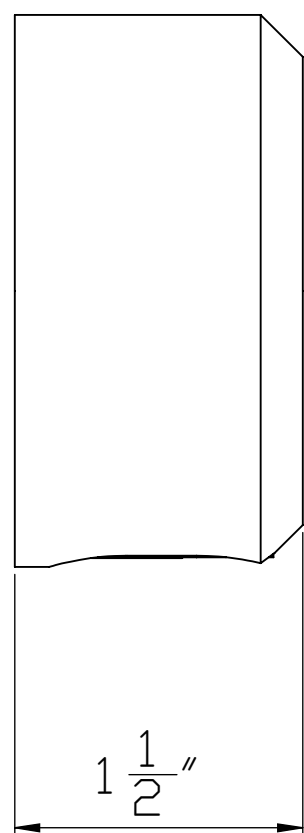
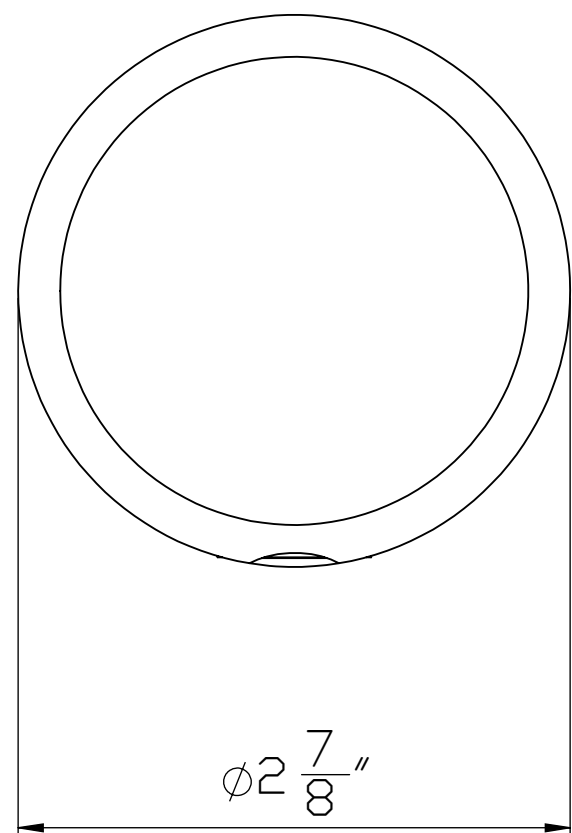
NOTES:

2170-IC2 & KIK-2170 STEEL SERIES

MATERIAL: SOLID STEEL PADLOCK BODY.  
 FINISH: ELECTROLESS NICKEL PLATED BODY, CHROME ELECTROPLATED SHACKLE.  
 CYLINDER: SMALL FORMAT INTERCHANGEABLE CORE OR KEY IN KNOB (KIK) (NOT INCLUDED)

2170A-IC2 & KIK-2170A ALUMINUM SERIES

MATERIAL: SOLID ALUMINUM PADLOCK BODY.  
 FINISH: ANODIZED BODY, CHROME ELECTROPLATED SHACKLE.  
 CYLINDER: SMALL FORMAT INTERCHANGEABLE CORE OR KEY IN KNOB (KIK) (NOT INCLUDED)



UNLESS OTHERWISE SPECIFIED: DIMENSIONS ARE IN INCHES TOLERANCES: 0 ±.020 .00 ±.010 .000 ±.003 ANGULAR: ±1 DEGREE MATERIAL FINISH DO NOT SCALE DRAWING	DRAWN	M. Yuen	10/29/14	<b>PACIFIC LOCK COMPANY</b> 25605 Hercules Street, Valencia CA 91355 Tel: (888)562-5565 Fax: (661)294-3097 TITLE:		
	ENG APPROVAL	M. Yuen	10/29/14			
	MFG APPROVAL					
	SIZE	DWG. NO.	REV			
	<b>C</b>	KIK-2170 Tech Data Sheet		SCALE: 2:1	WEIGHT:	SHEET 1 OF 1