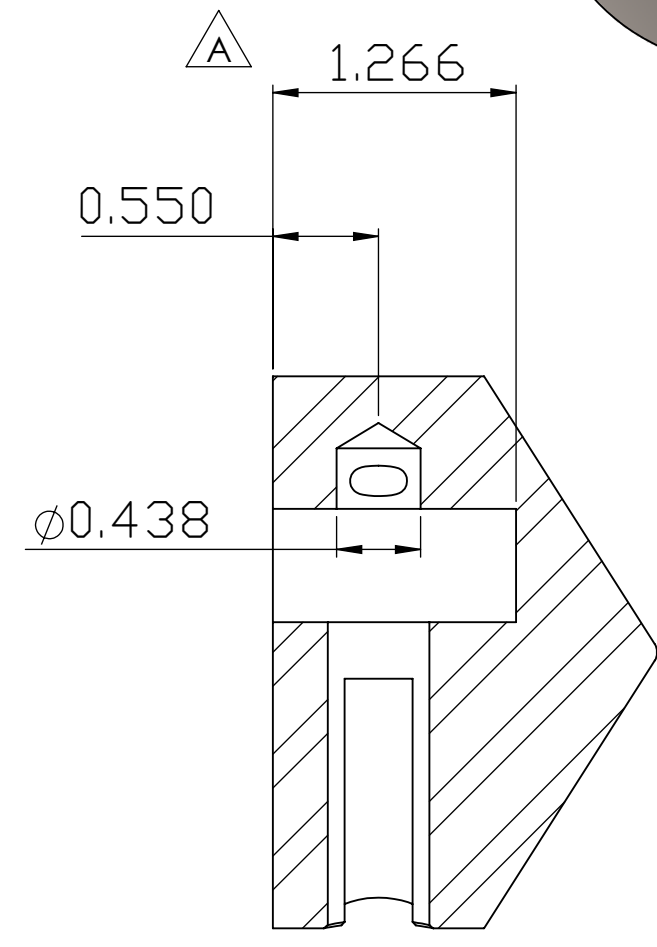
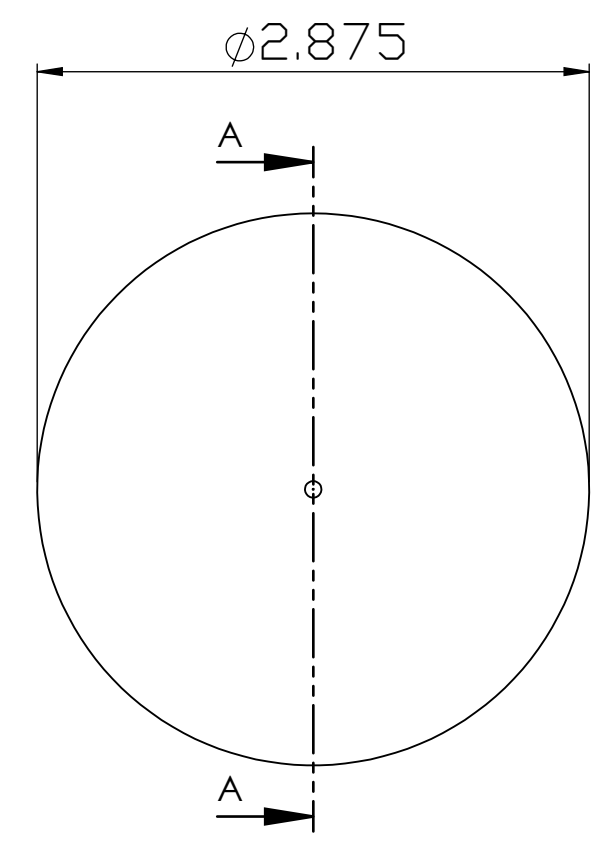
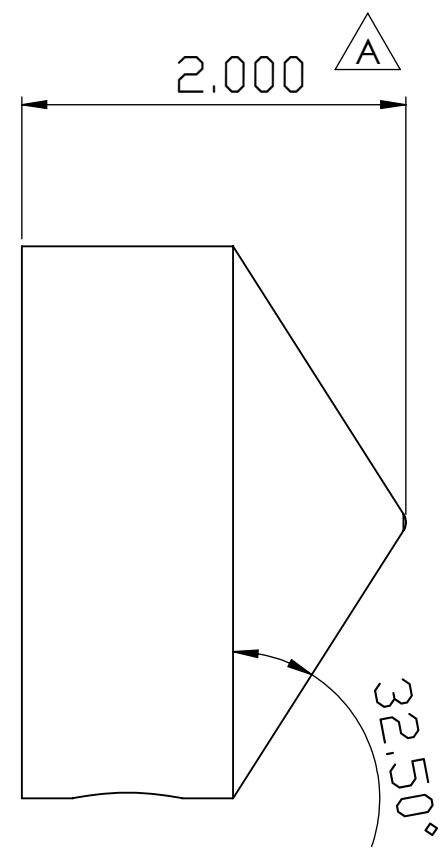
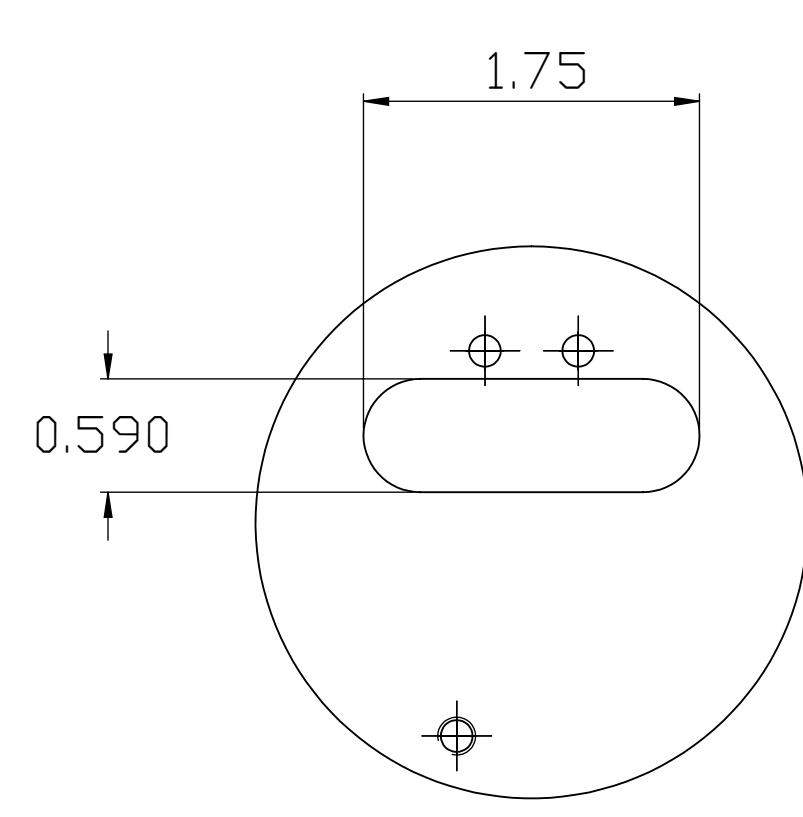
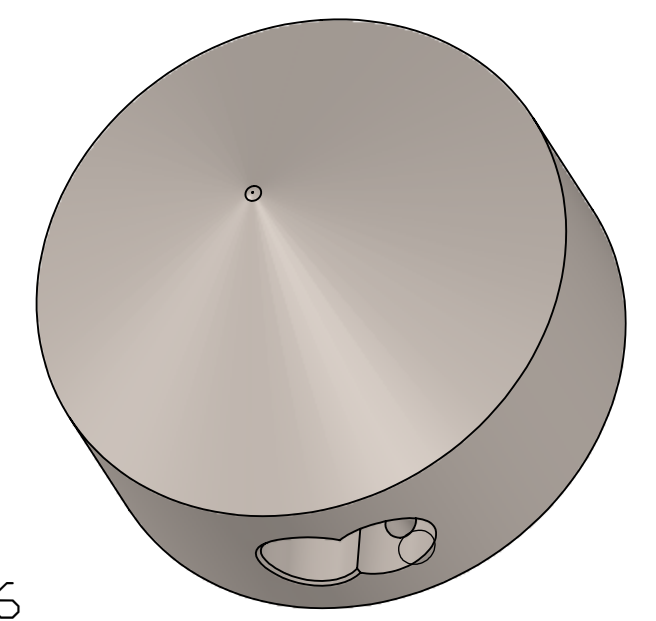


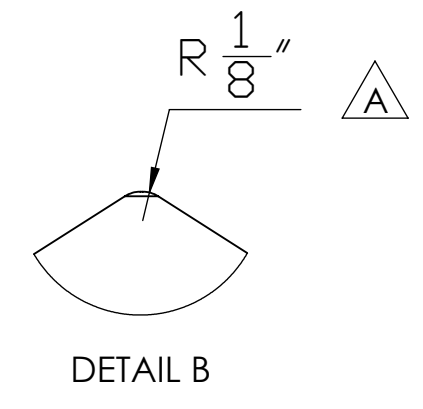
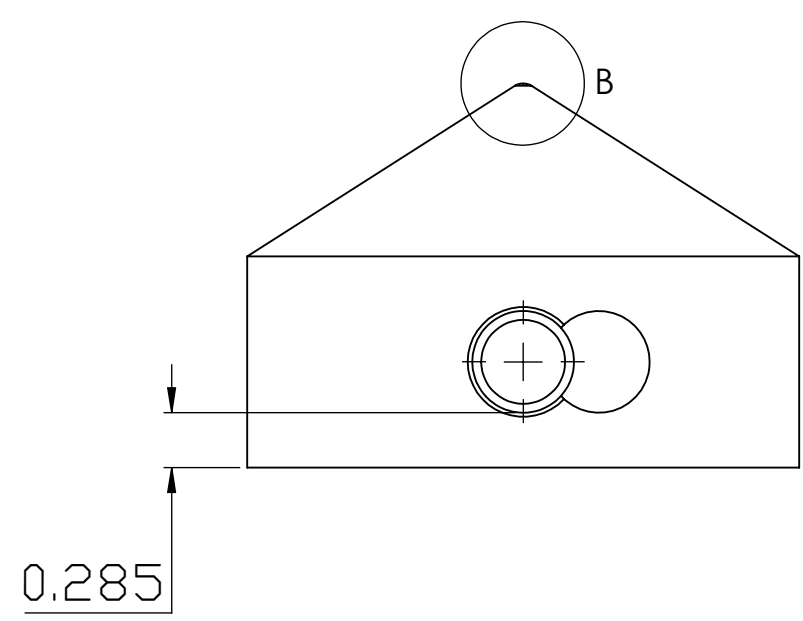
REVISIONS				
ZONE	REV.	DESCRIPTION	DATE	APPROVED
	A	Increased overall thickness of padlock to 2.0inch, revised slot depth to 1.266inch (standard 2170 dimension), added 0.125inch fillet to front point	7/27/2016	JF

NOTES:

2177 STEEL SERIES
 MATERIAL: CASE HARDENED SOLID STEEL PADLOCK BODY.
 FINISH: ELECTROLESS NICKEL PLATED BODY, CHROME ELECTROPLATED SHACKLE.
 CYLINDER: 6-PIN BRASS CYLINDER, HIGH SECURITY SERRATED AND SPOOL TOP PINS, BUMP-RESISTANT DRIVER PIN.



SECTION A-A
SCALE 1 : 1



DETAIL B

UNLESS OTHERWISE SPECIFIED: DIMENSIONS ARE IN INCHES TOLERANCES: 0 ±.020 .00 ±.010 .000 ±.003 ANGULAR: ±1 DEGREE	DRAWN	J. Fleagane	5/5/16	PACIFIC LOCK COMPANY 25605 Hercules Street, Valencia CA 91355 Tel: (888)562-5565 Fax: (661)294-3097						
	ENG APPROVAL	J. Fleagane	5/5/16							
	MFG APPROVAL									
	MATERIAL				TITLE:					
FINISH				<table border="1"> <tr> <td>SIZE</td> <td>DWG. NO.</td> <td>REV</td> </tr> <tr> <td>C</td> <td>2177 Series Tech Data</td> <td>A</td> </tr> </table>	SIZE	DWG. NO.	REV	C	2177 Series Tech Data	A
SIZE	DWG. NO.	REV								
C	2177 Series Tech Data	A								
DO NOT SCALE DRAWING				<table border="1"> <tr> <td>SCALE: 2:1</td> <td>WEIGHT:</td> <td>SHEET 1 OF 1</td> </tr> </table>	SCALE: 2:1	WEIGHT:	SHEET 1 OF 1			
SCALE: 2:1	WEIGHT:	SHEET 1 OF 1								