

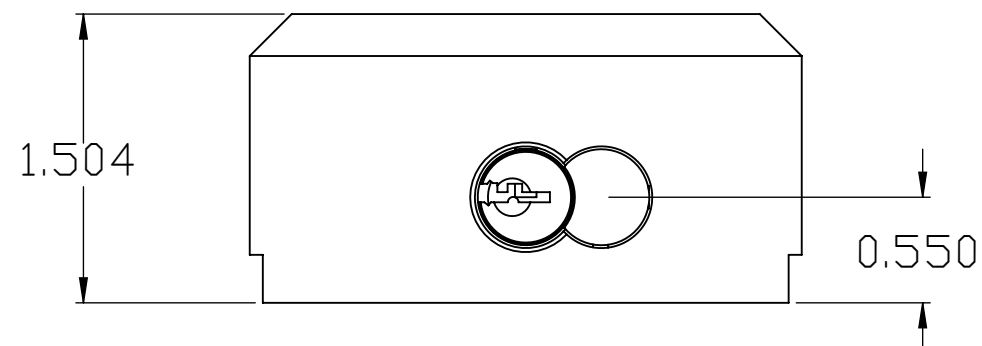
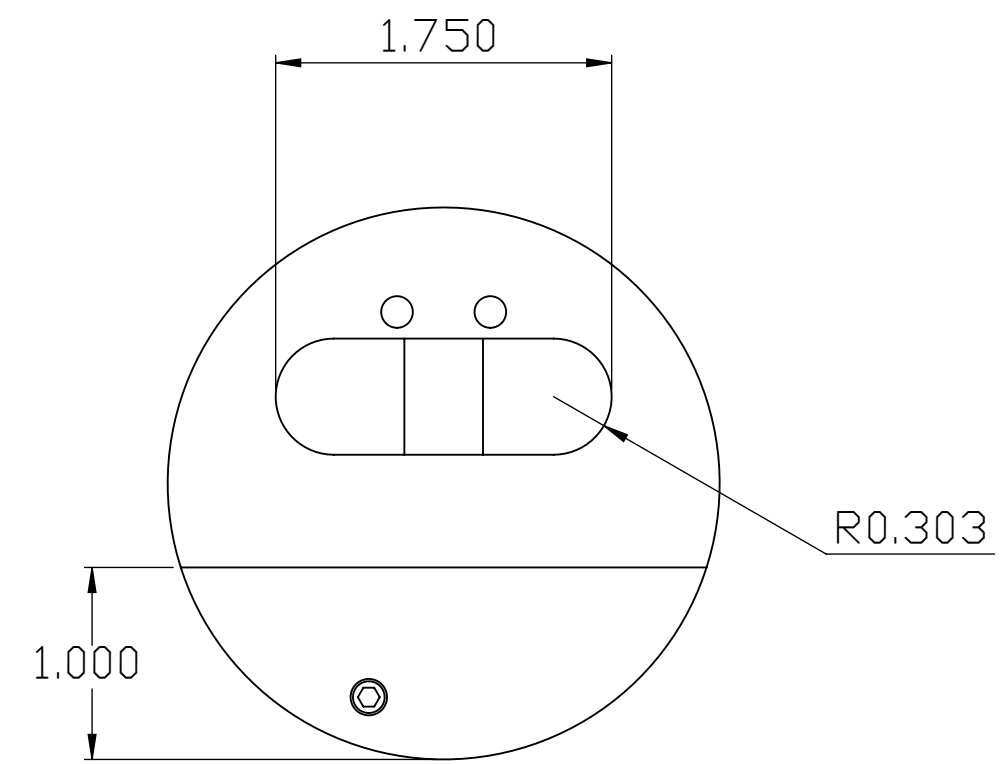
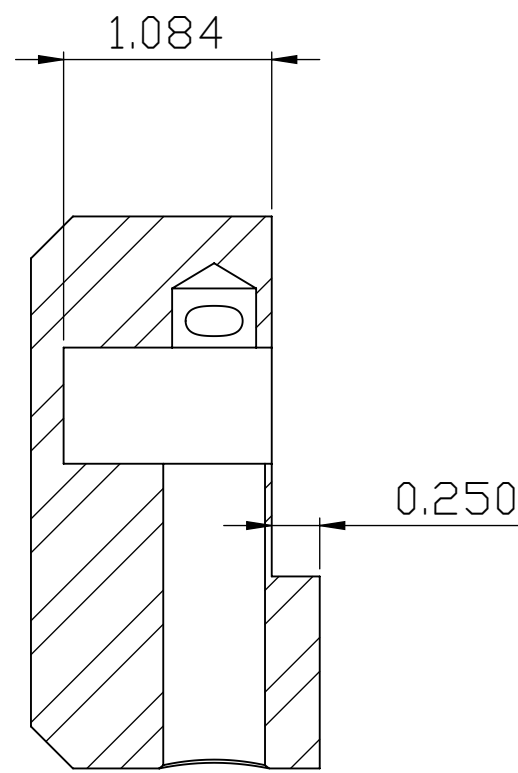
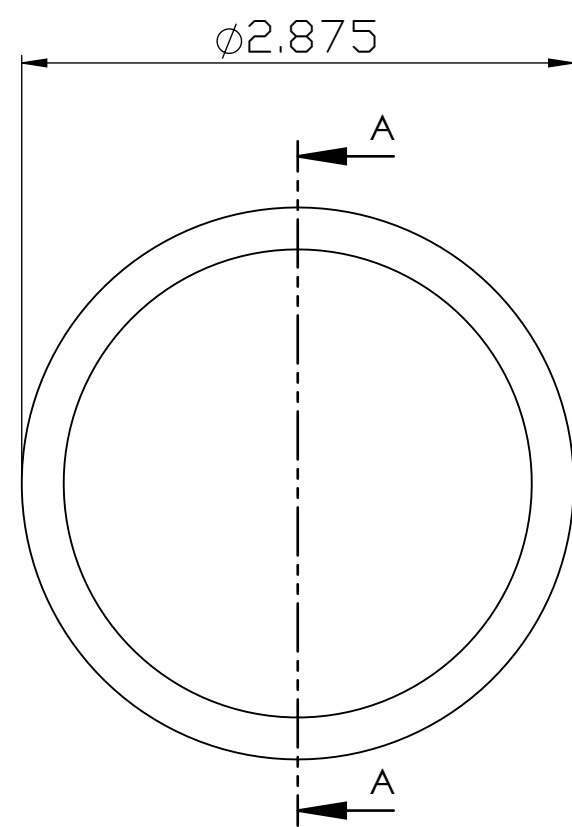
NOTES:

400 STEEL SERIES

MATERIAL: CASE HARDENED SOLID STEEL PADLOCK BODY.
 FINISH: ELECTROLESS NICKEL PLATED BODY, CHROME ELECTROPLATED SHACKLE.
 CYLINDER: 6-PIN, HIGH SECURITY SERRATED AND SPOOL TOP PINS, BUMP-RESISTANT DRIVER PIN.

400A ALUMINUM SERIES

MATERIAL: SOLID ALUMINUM PADLOCK BODY.
 FINISH: ANODIZED BODY, CHROME ELECTROPLATED SHACKLE.
 CYLINDER: 6-PIN, HIGH SECURITY SERRATED AND SPOOL TOP PINS, BUMP-RESISTANT DRIVER PIN.



UNLESS OTHERWISE SPECIFIED: DIMENSIONS ARE IN INCHES TOLERANCES: 0 ±.020 .00 ±.010 .000 ±.003 ANGULAR: ±1 DEGREE	DRAWN	J. Fleagane	4/23/2018	PACIFIC LOCK COMPANY 25605 Hercules Street, Valencia CA 91355 Tel: (888)562-5565 Fax: (661)294-3097 TITLE:		
	ENG APPROVAL	J. Fleagane	4/23/2018			
	MFG APPROVAL					
MATERIAL				SIZE	DWG. NO.	REV
FINISH				C	400 Series Tech Data	
DO NOT SCALE DRAWING				SCALE: 2:1	WEIGHT:	SHEET 1 OF 1