

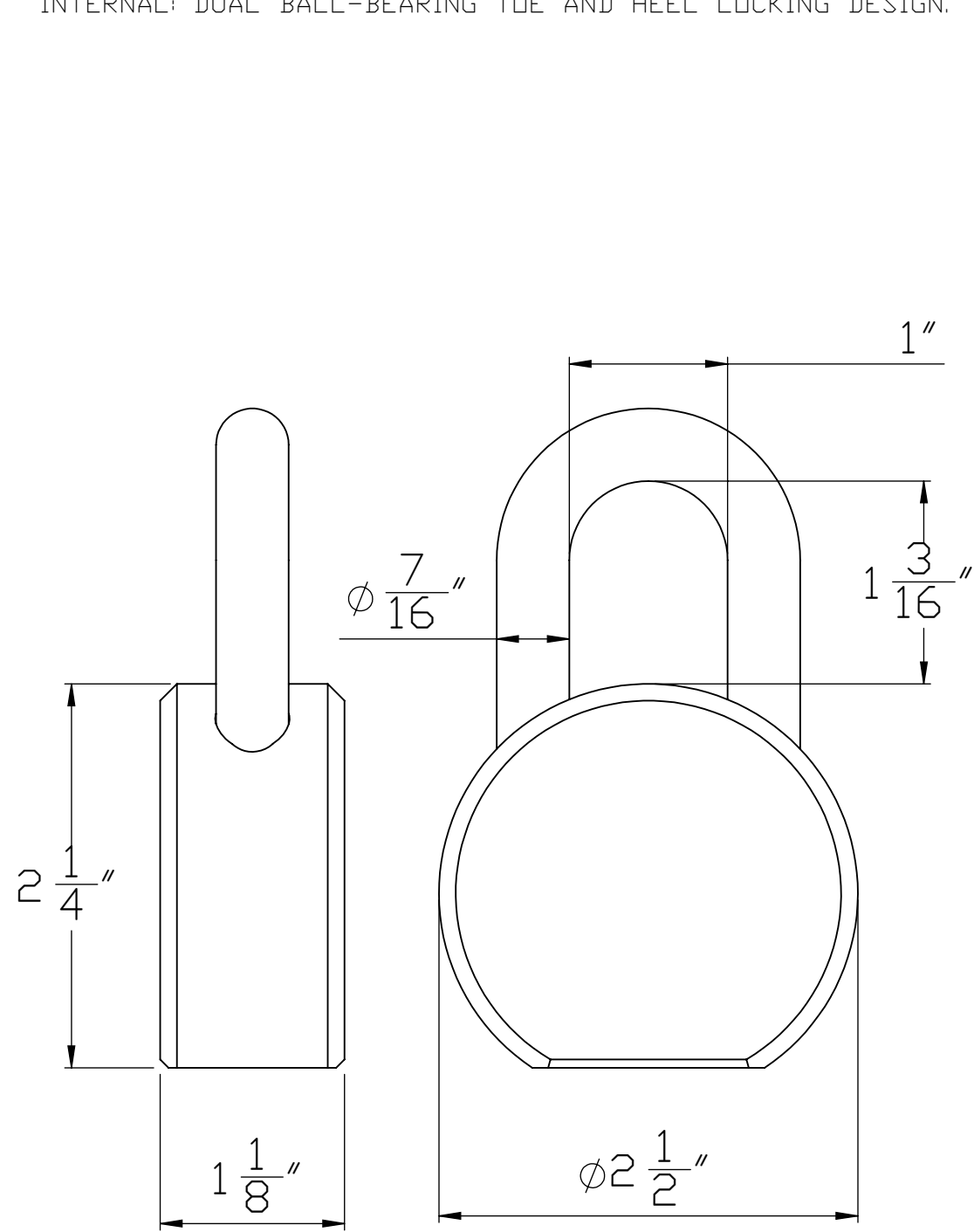
NOTES:

900-IC STEEL SERIES

MATERIAL: SOLID STEEL PADLOCK BODY.
 FINISH: ELECTROLESS NICKEL PLATED BODY, CHROME ELECTROPLATED SHACKLE.
 CYLINDER: 5-PIN, 6-PIN OR 7-PIN INTERCHANGEABLE CORE (NOT INCLUDED).
 INTERNAL: DUAL BALL-BEARING TOE AND HEEL LOCKING DESIGN.

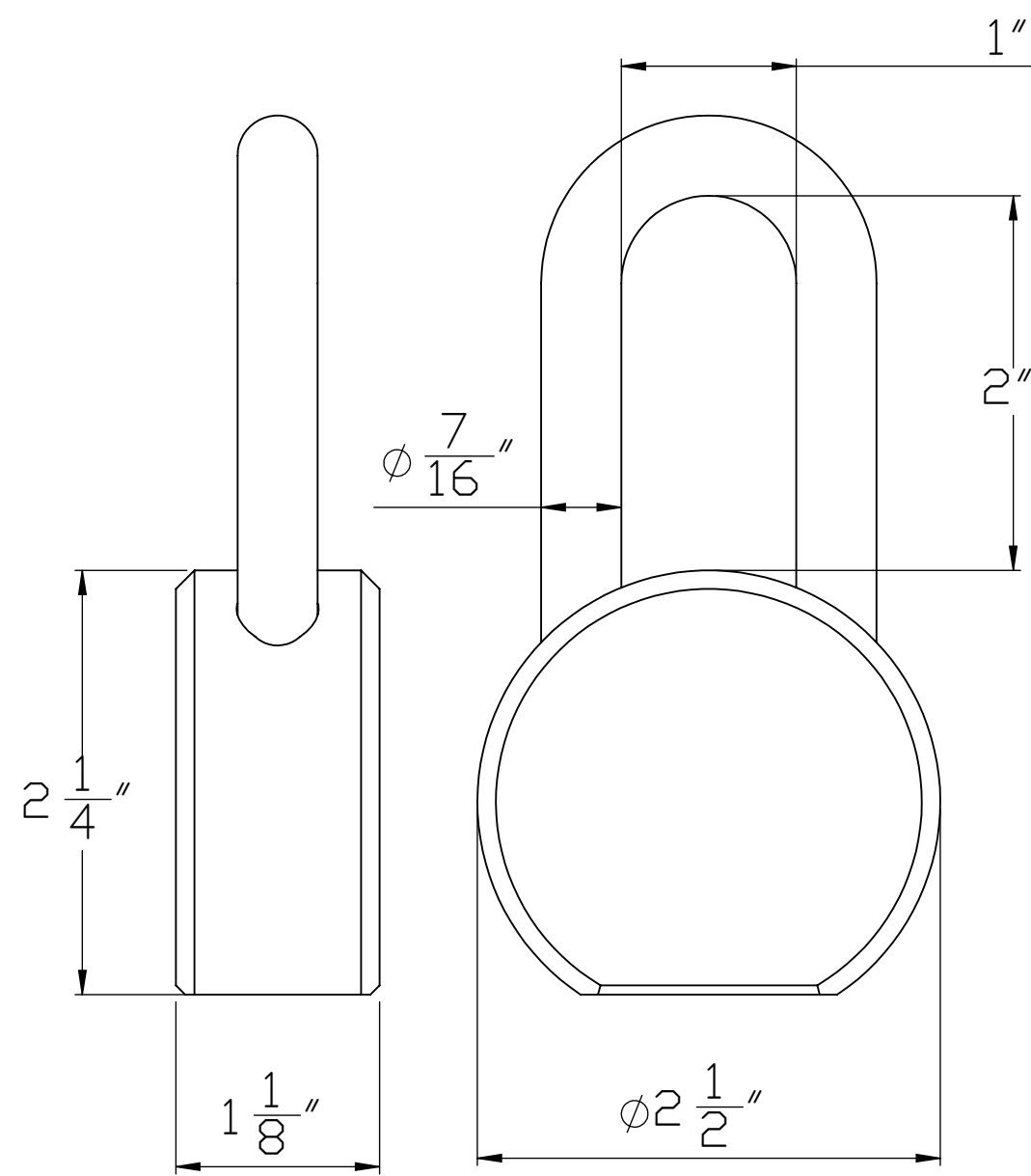
900A-IC ALUMINUM SERIES

MATERIAL: SOLID ALUMINUM PADLOCK BODY.
 FINISH: ANODIZED BODY, CHROME ELECTROPLATED SHACKLE.
 CYLINDER: 5-PIN, 6-PIN OR 7-PIN INTERCHANGEABLE CORE (NOT INCLUDED).
 INTERNAL: DUAL BALL-BEARING TOE AND HEEL LOCKING DESIGN.



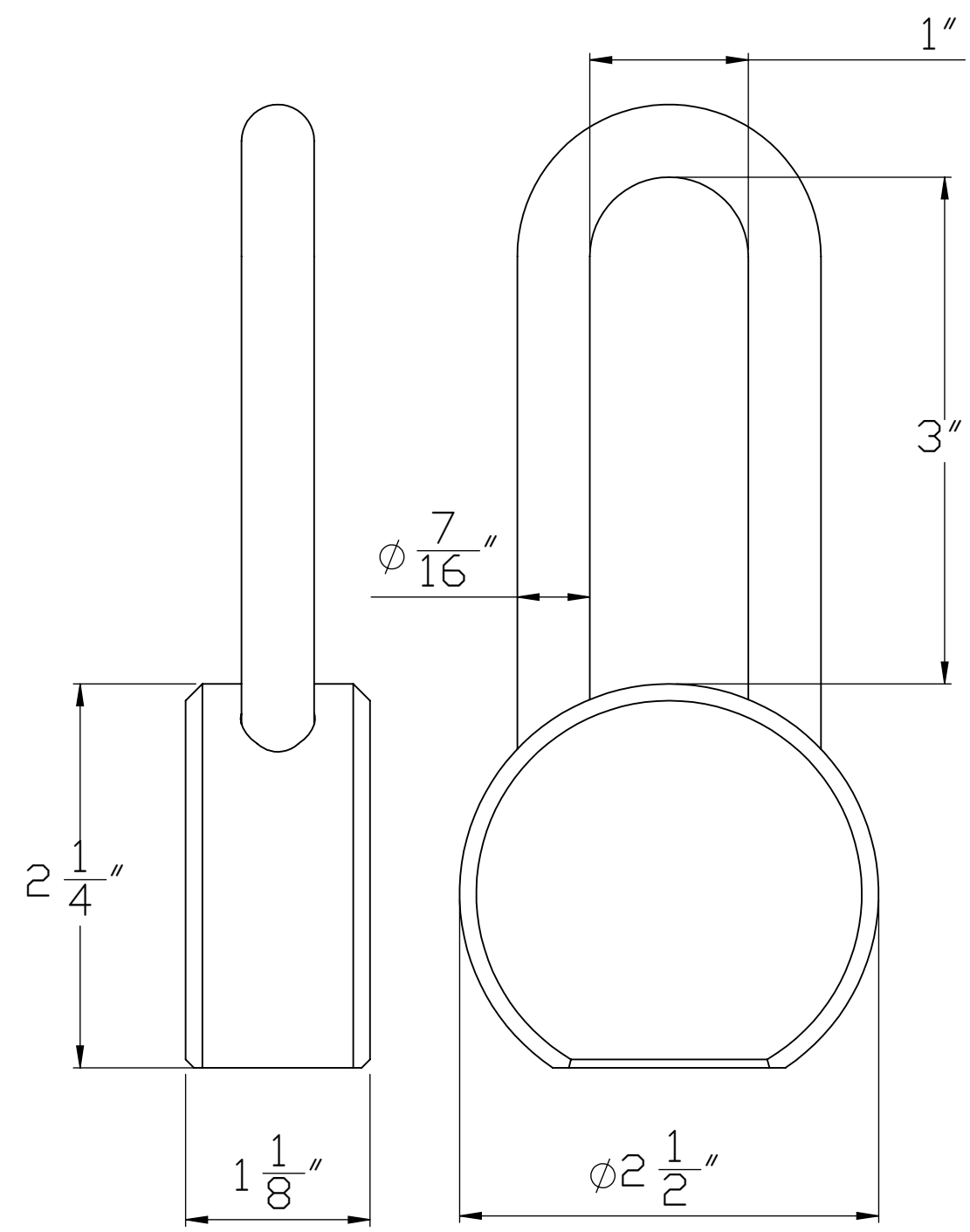
1" SHACKLE

AVAILABLE IN
 CASE HARDENED STEEL



2" SHACKLE

AVAILABLE IN
 CASE HARDENED STEEL



3" SHACKLE

AVAILABLE IN
 CASE HARDENED STEEL

UNLESS OTHERWISE SPECIFIED:		NAME	DATE	PACIFIC LOCK COMPANY 25605 Hercules Street, Valencia CA 91355 Tel: (888)562-5565 Fax: (661)294-3097	
DIMENSIONS ARE IN INCHES		DRAWN	M. Yuen		
TOLERANCES:		ENG APPROVAL	M. Yuen	10/14/14	TITLE:
0 ±.020		MFG APPROVAL			
.00 ±.010					SIZE DWG. NO. REV
.000 ±.003					
ANGULAR: ±1 DEGREE					SCALE: 1:1 WEIGHT: SHEET 1 OF 1
MATERIAL					
FINISH					
DO NOT SCALE DRAWING					