

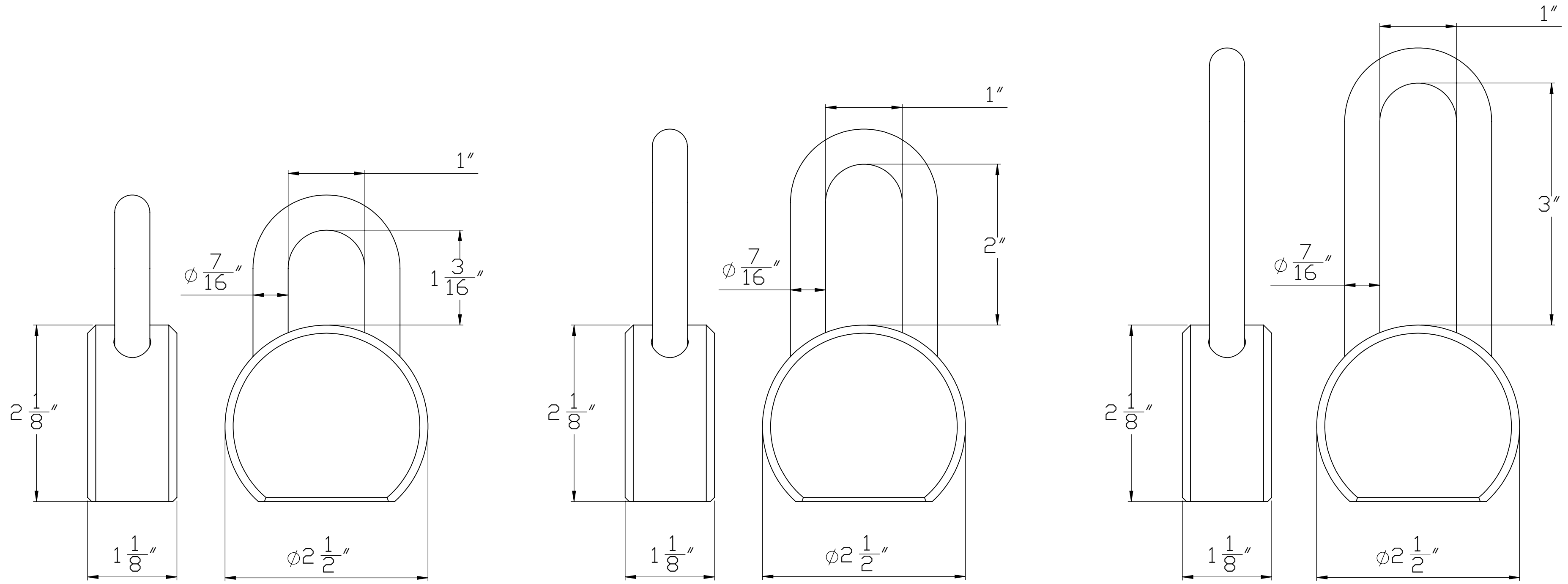
NOTES:

900 STEEL SERIES

MATERIAL: SOLID STEEL PADLOCK BODY.  
 FINISH: ELECTROLESS NICKEL PLATED BODY, CHROME ELECTROPLATED SHACKLE.  
 CYLINDER: 6-PIN, HIGH SECURITY SERRATED AND SPOOL TOP PINS, BUMP-RESISTANT DRIVER PIN.  
 INTERNAL: DUAL BALL-BEARING TOE AND HEEL LOCKING DESIGN

900A ALUMINUM SERIES

MATERIAL: SOLID ALUMINUM PADLOCK BODY.  
 FINISH: ANODIZED BODY, CHROME ELECTROPLATED SHACKLE.  
 CYLINDER: 6-PIN, HIGH SECURITY SERRATED AND SPOOL TOP PINS, BUMP-RESISTANT DRIVER PIN.  
 INTERNAL: DUAL BALL-BEARING TOE AND HEEL LOCKING DESIGN



1" SHACKLE

AVAILABLE IN  
 CASE HARDENED STEEL

2" SHACKLE

AVAILABLE IN  
 CASE HARDENED STEEL

3" SHACKLE

AVAILABLE IN  
 CASE HARDENED STEEL

UNLESS OTHERWISE SPECIFIED:		NAME	DATE	<b>PACIFIC LOCK COMPANY</b> 25605 Hercules Street, Valencia CA 91355 Tel: (888)562-5565 Fax: (661)294-3097
DIMENSIONS ARE IN INCHES		DRAWN	M. Yuen	
TOLERANCES:		ENG APPROVAL	M. Yuen	10/27/14
0 ±.020		MFG APPROVAL		
.00 ±.010		TITLE:		
.000 ±.003		SIZE DWG. NO. REV		
ANGULAR: ±1 DEGREE		C 900 Series Tech Data Sheet		
MATERIAL	DO NOT SCALE DRAWING			SCALE: 1:1 WEIGHT: SHEET 1 OF 1
FINISH				