

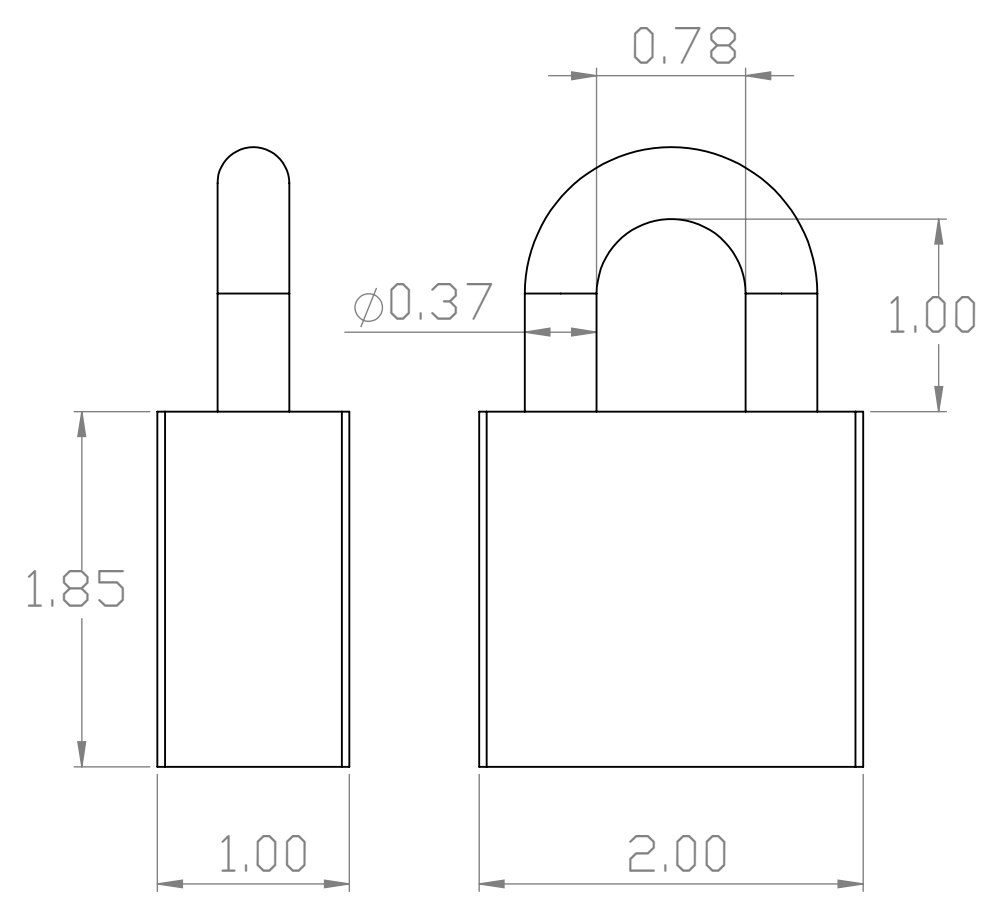
NOTES:

REKEYABLE KNAACK SERIES

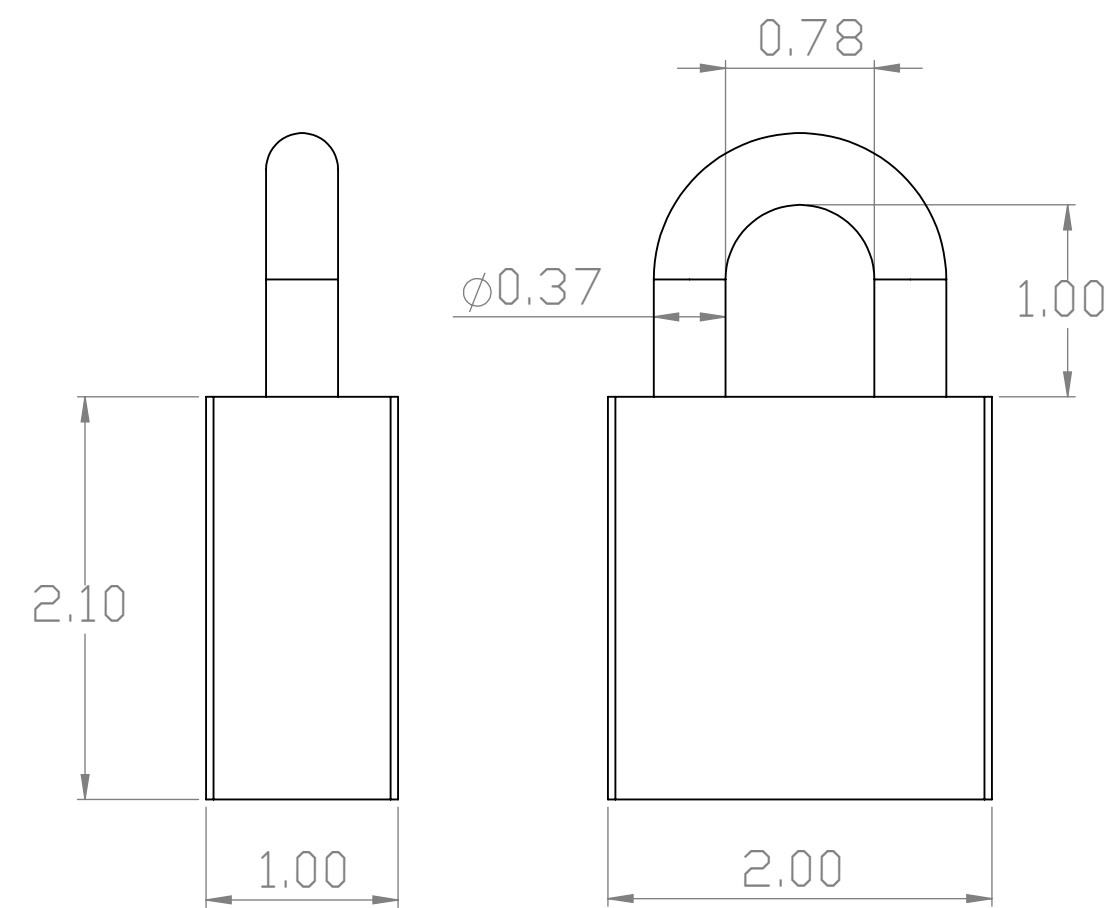
MATERIAL: SOLID ALUMINUM PADLOCK BODY.
 FINISH: ANODIZED BODY, 316 GRADE STAINLESS STEEL SHACKLE.
 CYLINDER: 6-PIN, HIGH SECURITY SERRATED AND SPOOL TOP PINS, BUMP-RESISTANT DRIVER PIN.
 INTERNAL: DUAL BALL-BEARING TOE AND HEEL LOCKING DESIGN

UCS KNAACK SERIES

MATERIAL: SOLID ALUMINUM PADLOCK BODY.
 FINISH: ANODIZED BODY, 316 GRADE STAINLESS STEEL SHACKLE.
 CYLINDER: 6-PIN UCS CYLINDER, HIGH SECURITY SERRATED AND SPOOL TOP PINS, BUMP-RESISTANT DRIVER PIN.
 INTERNAL: DUAL BALL-BEARING TOE AND HEEL LOCKING DESIGN



REKEYABLE KNAACK PADLOCK



UCS KNAACK PADLOCK

UNLESS OTHERWISE SPECIFIED: DIMENSIONS ARE IN INCHES TOLERANCES: 0 ±.020 .00 ±.010 .000 ±.003 ANGULAR: ±1 DEGREE MATERIAL FINISH DO NOT SCALE DRAWING	DRAWN	J. Fleagane	5/8/17	PACIFIC LOCK COMPANY 25605 Hercules Street, Valencia CA 91355 Tel: (888)562-5565 Fax: (661)294-3097
	ENG APPROVAL	J. Fleagane	5/8/17	
	MFG APPROVAL			
	TITLE:			
SIZE		DWG. NO.		REV
C		Knaack Lock Tech Data Sheet		
SCALE: 1:1		WEIGHT:		SHEET 1 OF 1