

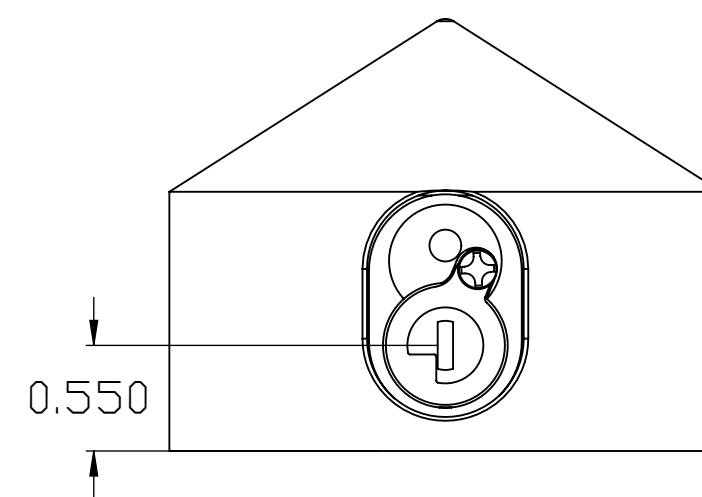
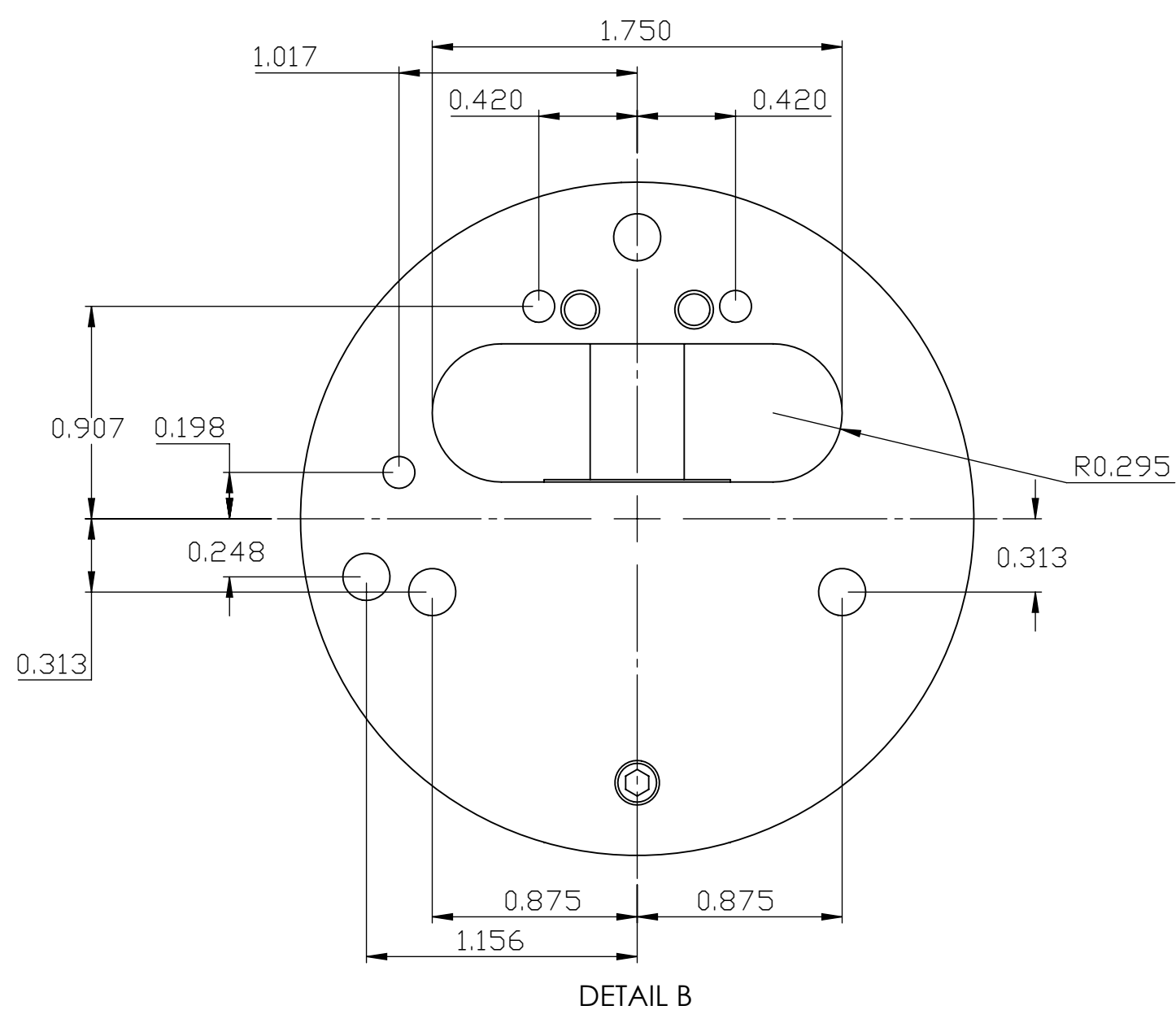
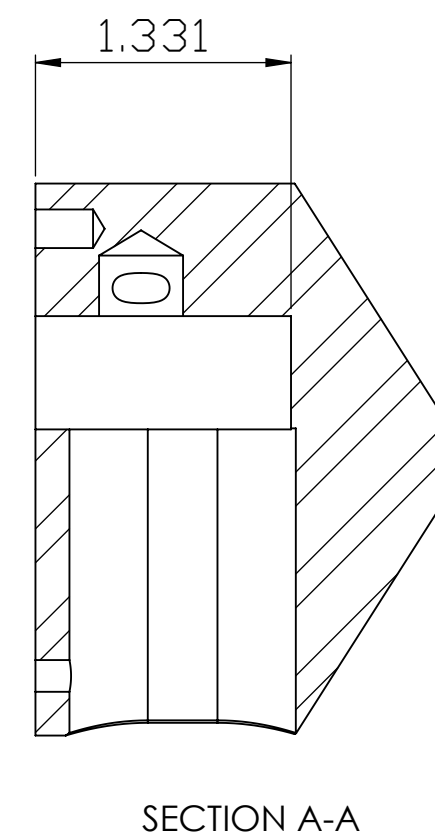
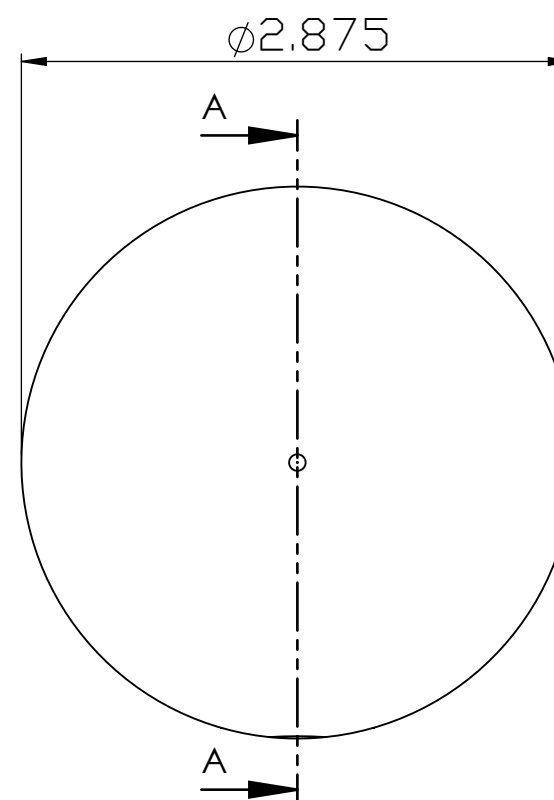
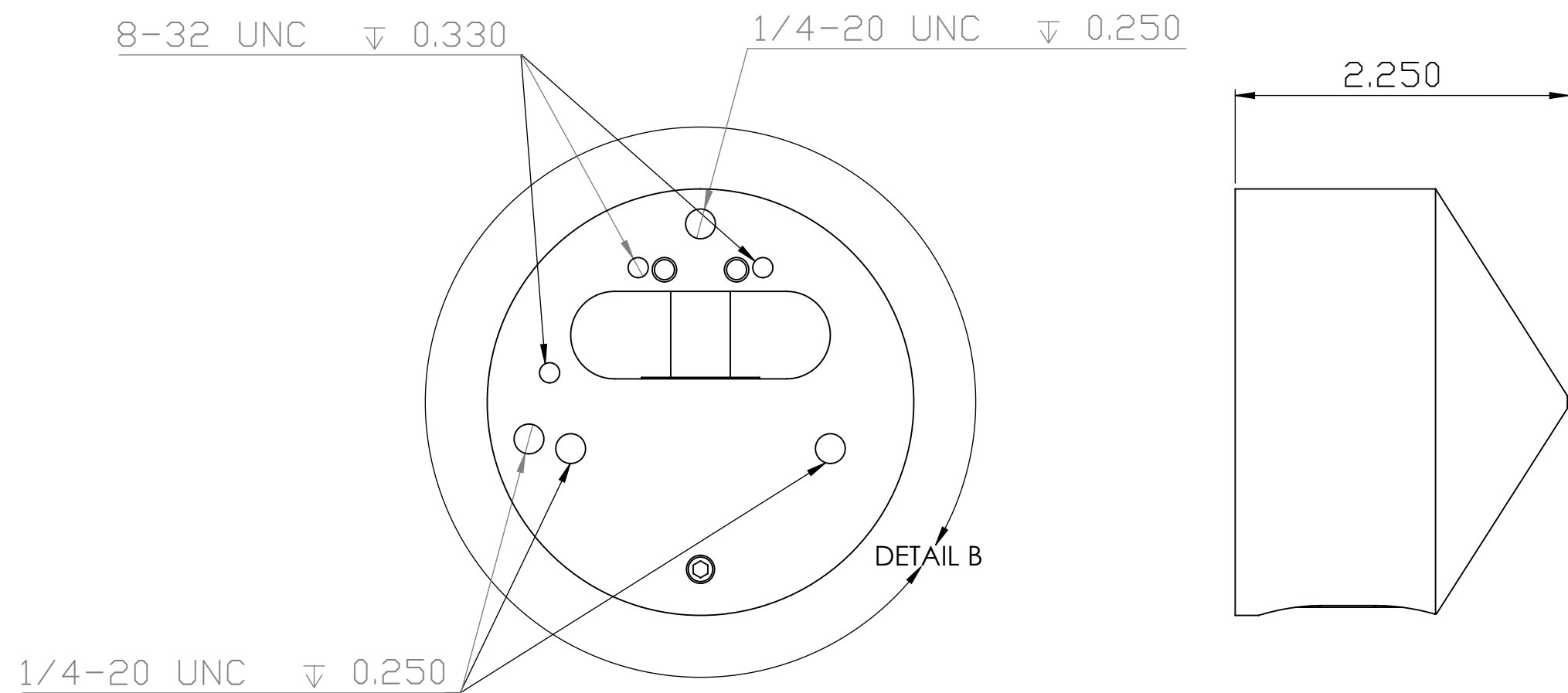
NOTES:

KIK-2177 STEEL SERIES

MATERIAL: CASE HARDENED SOLID STEEL PADLOCK BODY.  
 FINISH: ELECTROLESS NICKEL PLATED BODY, CHROME ELECTROPLATED SHACKLE.  
 CYLINDER: KEY IN KNOB (KIK) (NOT INCLUDED)

KIK-2177A ALUMINUM SERIES

MATERIAL: SOLID ALUMINUM PADLOCK BODY.  
 FINISH: ANODIZED BODY, CHROME ELECTROPLATED SHACKLE.  
 CYLINDER: KEY IN KNOB (KIK) (NOT INCLUDED)



UNLESS OTHERWISE SPECIFIED:		NAME	DATE	<b>PACIFIC LOCK COMPANY</b> 25605 Hercules Street, Valencia CA 91355 Tel: (888)562-5565 Fax: (661)294-3097	
DIMENSIONS ARE IN INCHES		DRAWN	J. Fleagane		5/2/2018
TOLERANCES:		ENG APPROVAL	J. Fleagane		5/2/2018
0 ±.020		MFG APPROVAL			
.00 ±.010		TITLE:			
.000 ±.003		SIZE DWG. NO. REV			
ANGULAR: ±1 DEGREE		C KIK-2177 Tech Data A			
MATERIAL		SCALE: 2:1 WEIGHT: SHEET 1 OF 1			
FINISH					
DO NOT SCALE DRAWING					