

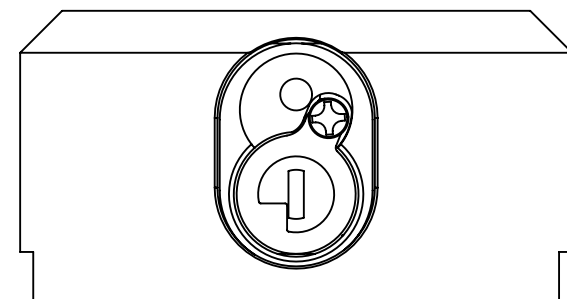
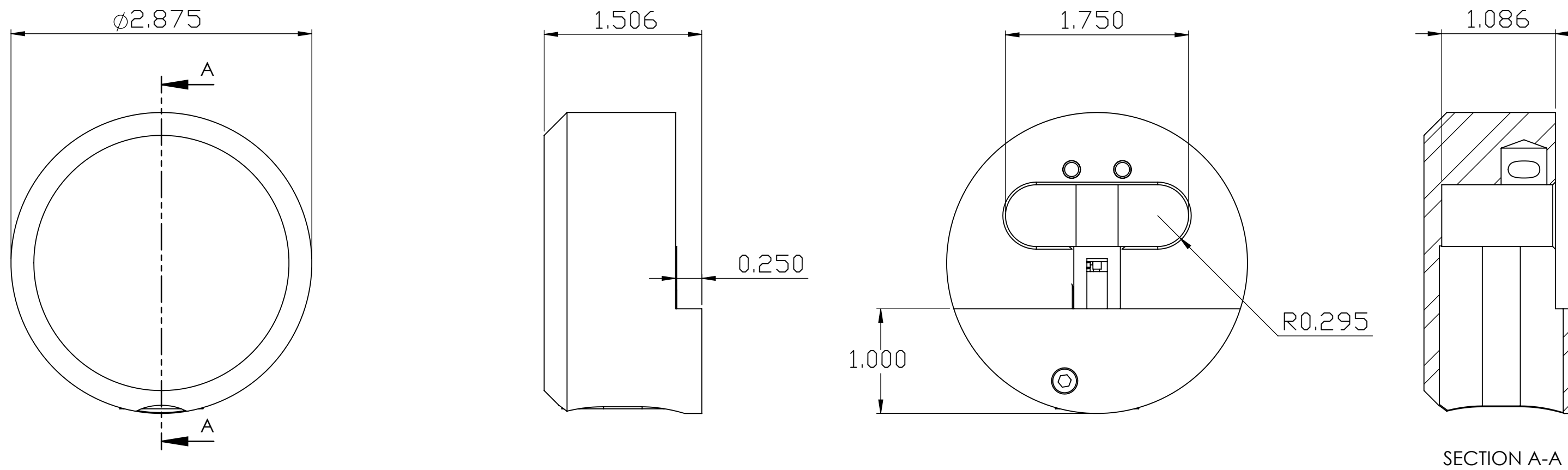
NOTES:

KIK-400 STEEL SERIES

MATERIAL: CASE HARDENED SOLID STEEL PADLOCK BODY.
 FINISH: ELECTROLESS NICKEL PLATED BODY, CHROME ELECTROPLATED SHACKLE.
 CYLINDER: KEY IN KNOB (KIK) (NOT INCLUDED)

KIK-400A ALUMINUM SERIES

MATERIAL: SOLID ALUMINUM PADLOCK BODY.
 FINISH: ANODIZED BODY, CHROME ELECTROPLATED SHACKLE.
 CYLINDER: KEY IN KNOB (KIK) (NOT INCLUDED)



UNLESS OTHERWISE SPECIFIED: DIMENSIONS ARE IN INCHES TOLERANCES: 0 ±.020 .00 ±.010 .000 ±.003 ANGULAR: ±1 DEGREE	DRAWN	J. Fleagane	5/2/18	PACIFIC LOCK COMPANY 25605 Hercules Street, Valencia CA 91355 Tel: (888)562-5565 Fax: (661)294-3097
	ENG APPROVAL	J. Fleagane	5/2/18	
	MFG APPROVAL			
MATERIAL				TITLE:
FINISH				SIZE DWG. NO. REV C KIK-400 Tech Data Sheet
DO NOT SCALE DRAWING				SCALE: 2:1 WEIGHT: SHEET 1 OF 1