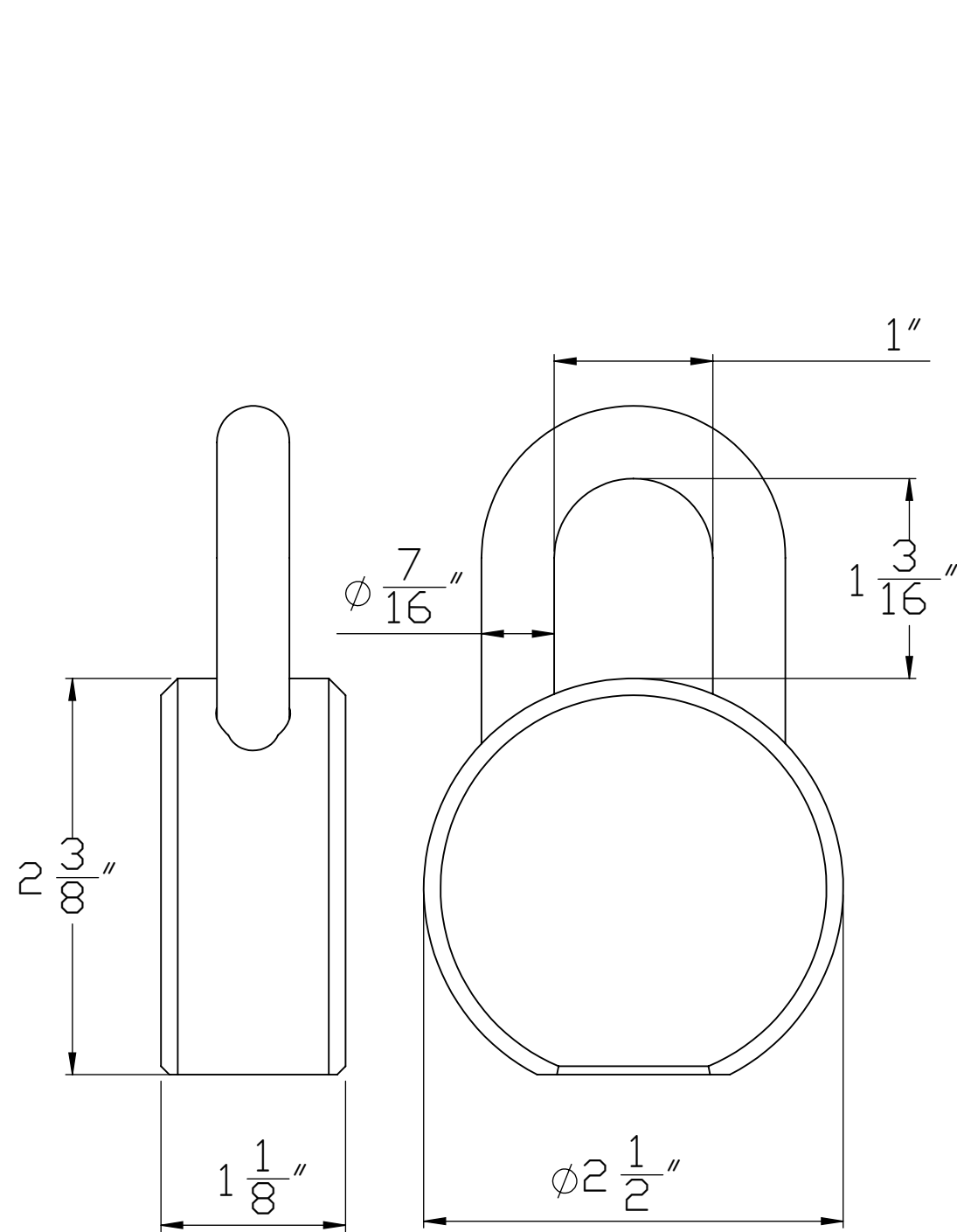


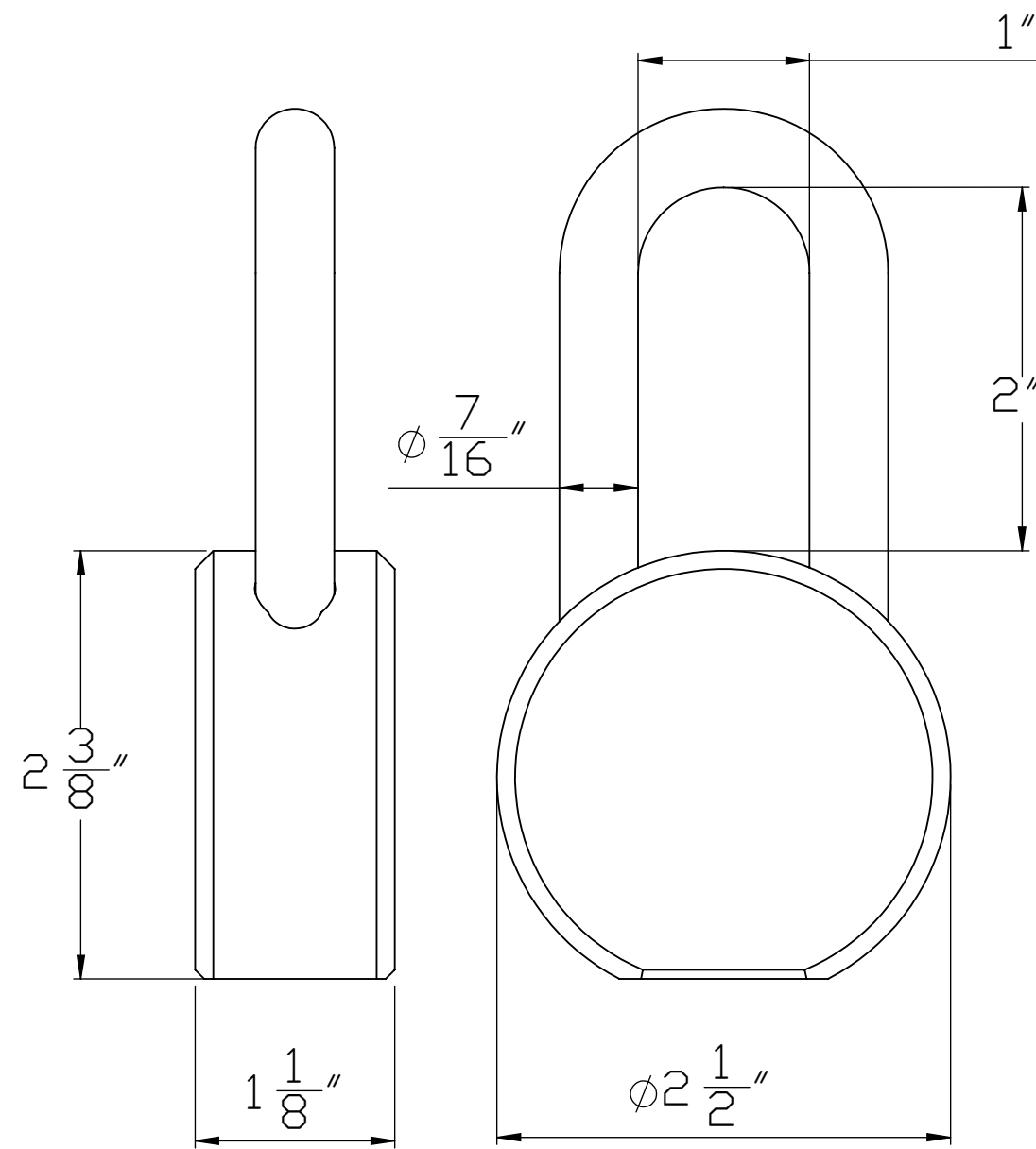
NOTES:

KIK-900 STEEL SERIES

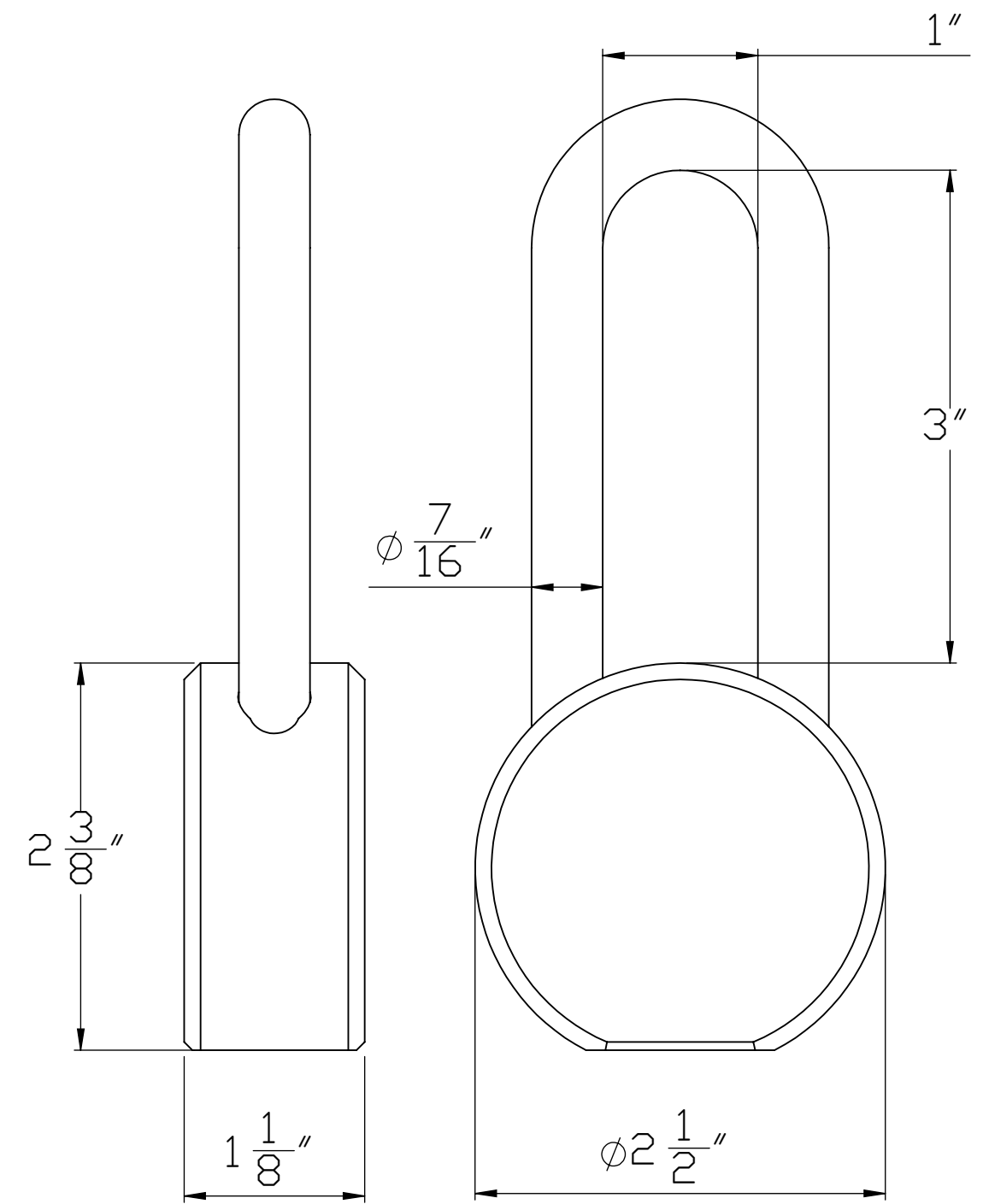
MATERIAL: SOLID STEEL PADLOCK BODY.
 FINISH: ELECTROLESS NICKEL PLATED BODY, CHROME ELECTROPLATED SHACKLE.
 CYLINDER: KEY IN KNOB (KIK) CYLINDER (NOT INCLUDED).



1" SHACKLE
 AVAILABLE IN
 CASE HARDENED STEEL



2" SHACKLE
 AVAILABLE IN
 CASE HARDENED STEEL



3" SHACKLE
 AVAILABLE IN
 CASE HARDENED STEEL

UNLESS OTHERWISE SPECIFIED:		NAME	DATE	PACIFIC LOCK COMPANY 25605 Hercules Street, Valencia CA 91355 Tel: (888)562-5565 Fax: (661)294-3097
DIMENSIONS ARE IN INCHES		DRAWN	M. Yuen	
TOLERANCES:		ENG APPROVAL	M. Yuen	10/29/14
0 ±.020		MFG APPROVAL		
.00 ±.010		TITLE:		
.000 ±.003		-		
ANGULAR: ±1 DEGREE		-		
MATERIAL	STEEL 12L14	-		
FINISH	SEE NOTES	SIZE	DWG. NO.	REV
DO NOT SCALE DRAWING		C	KIK-900 Tech Data Sheet	
		SCALE: 1:1	WEIGHT:	SHEET 1 OF 1