

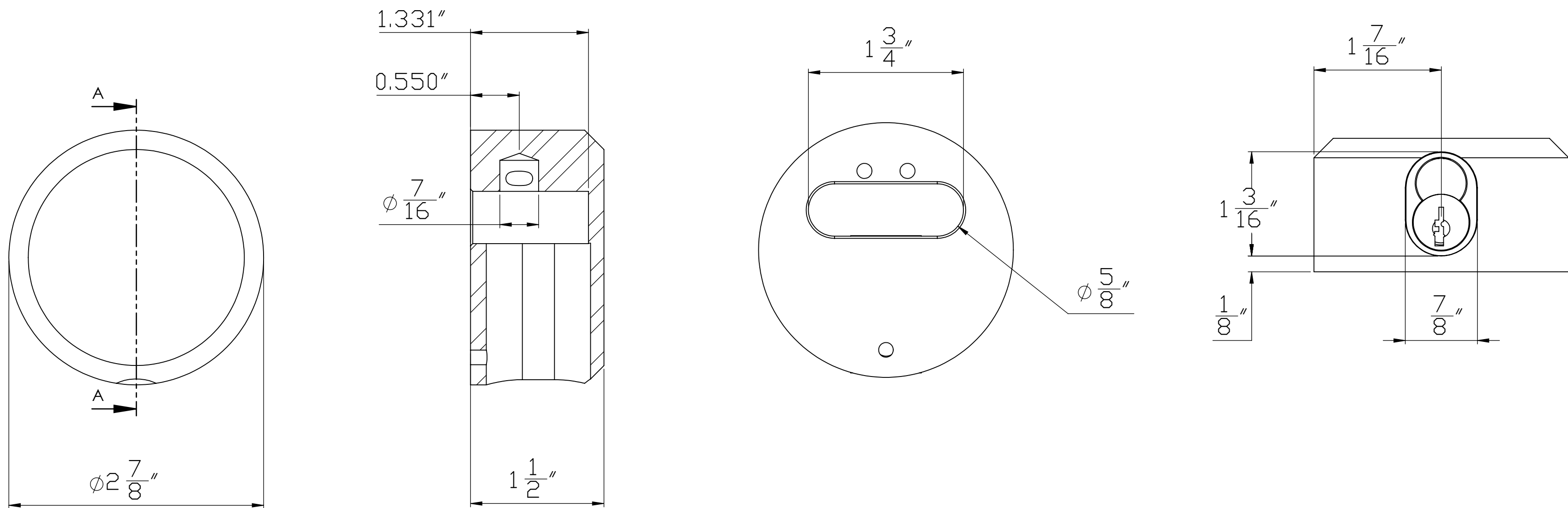
NOTES:

LFIC-6Y-2170 & LFIC-ASSA-2170 & LFIC-M32-2170 STEEL SERIES

MATERIAL: SOLID STEEL PADLOCK BODY,
FINISH: ELECTROLESS NICKEL PLATED BODY, CHROME ELECTROPLATED SHACKLE.
CYLINDER: LARGE FORMAT INTERCHANGEABLE CORE (NOT INCLUDED)

LFIC-6Y-2170A & LFIC-ASSA-2170A & LFIC-M32-2170A SERIES

MATERIAL: SOLID ALUMINUM PADLOCK BODY,
FINISH: ANODIZED BODY, CHROME ELECTROPLATED SHACKLE.
CYLINDER: LARGE FORMAT INTERCHANGEABLE CORE (NOT INCLUDED)



SECTION A-A

UNLESS OTHERWISE SPECIFIED: DIMENSIONS ARE IN INCHES TOLERANCES: 0 ±.020 .00 ±.010 .000 ±.003 ANGULAR: ±1 DEGREE MATERIAL FINISH DO NOT SCALE DRAWING	DRAWN	M. Yuen	6/1/15	PACIFIC LOCK COMPANY 25605 Hercules Street, Valencia CA 91355 Tel: (888)562-5565 Fax: (661)294-3097
	ENG APPROVAL	M. Yuen	6/1/15	
	MFG APPROVAL			
	TITLE:			
SIZE		DWG. NO.	REV	
C		LFIC-2170 Tech Data Sheet		
SCALE: 2:1		WEIGHT:	SHEET 1 OF 1	