

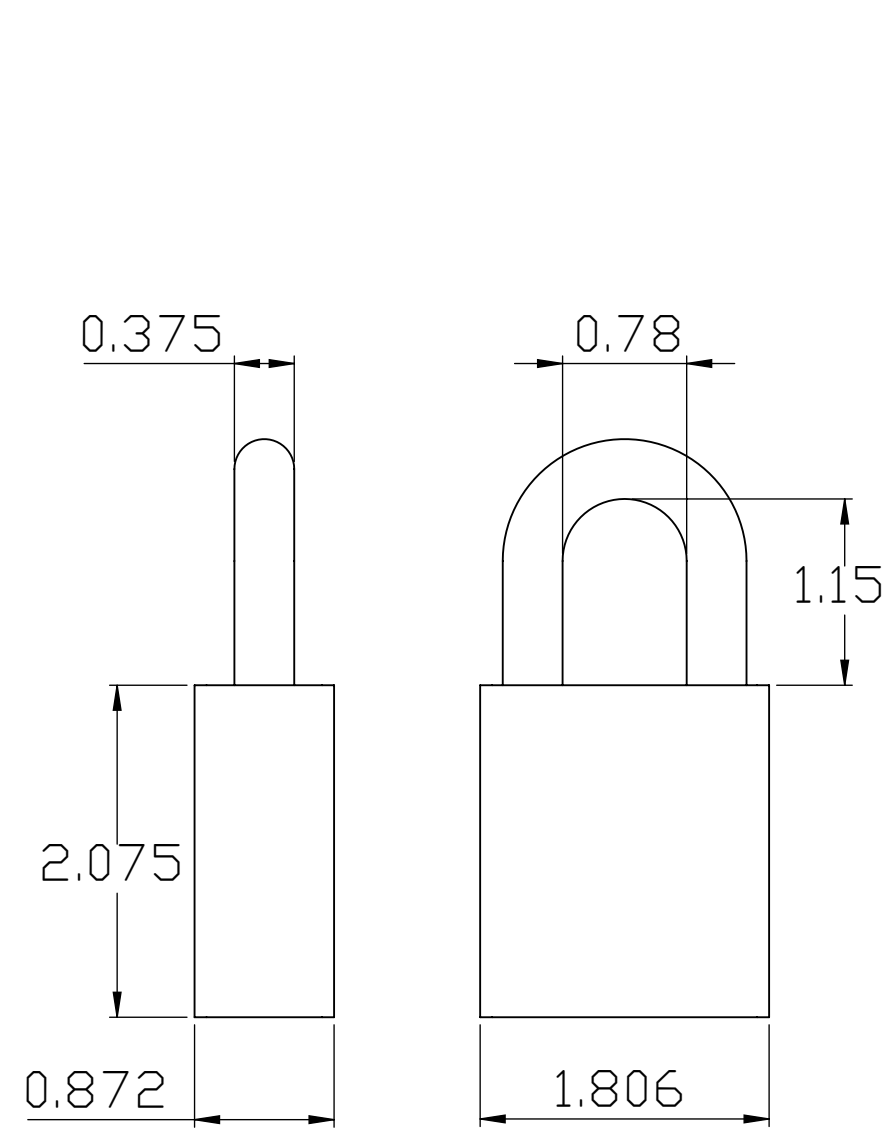
NOTES:

LFIC-ASSA-3 BRASS SERIES

MATERIAL: SOLID BRASS PADLOCK BODY.
 CYLINDER: LARGE FORMAT ASSA INTERCHANGEABLE CORE (NOT INCLUDED)
 INTERNAL: DUAL BALL-BEARING TOE AND HEEL LOCKING DESIGN

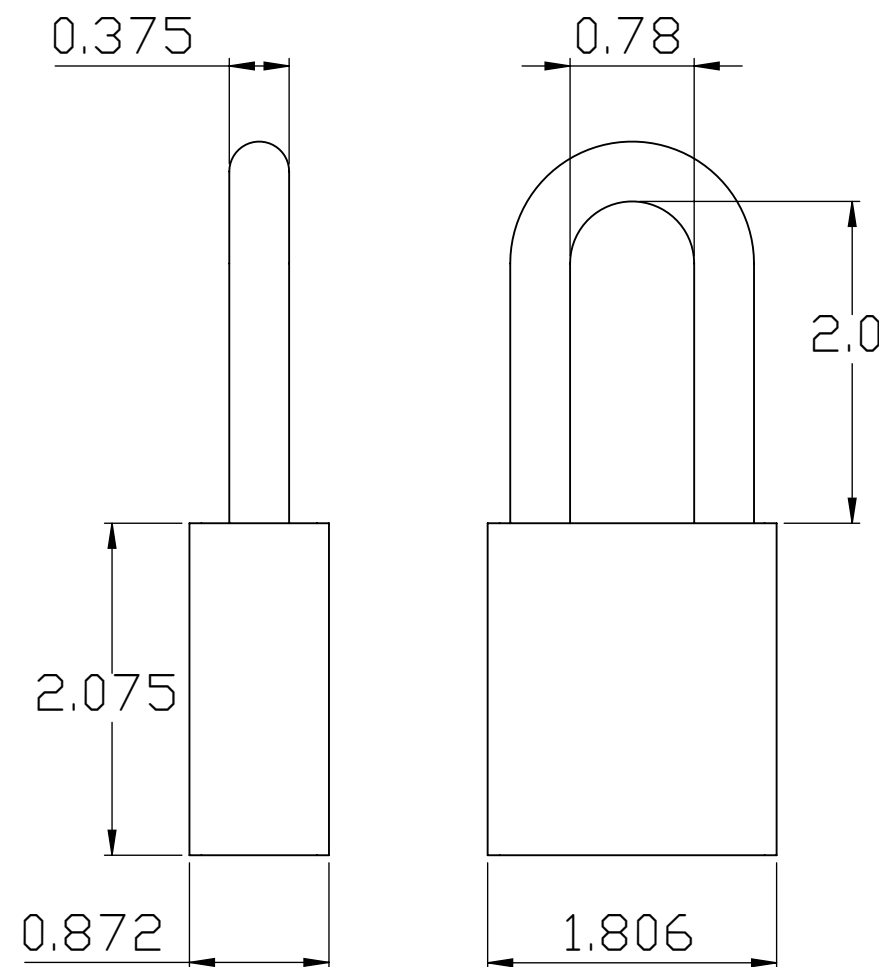
LFIC-ASSA-3 ALUMINUM SERIES

MATERIAL: SOLID ALUMINUM PADLOCK BODY.
 FINISH: ANODIZED BODY
 CYLINDER: LARGE FORMAT ASSA INTERCHANGEABLE CORE (NOT INCLUDED)
 INTERNAL: DUAL BALL-BEARING TOE AND HEEL LOCKING DESIGN



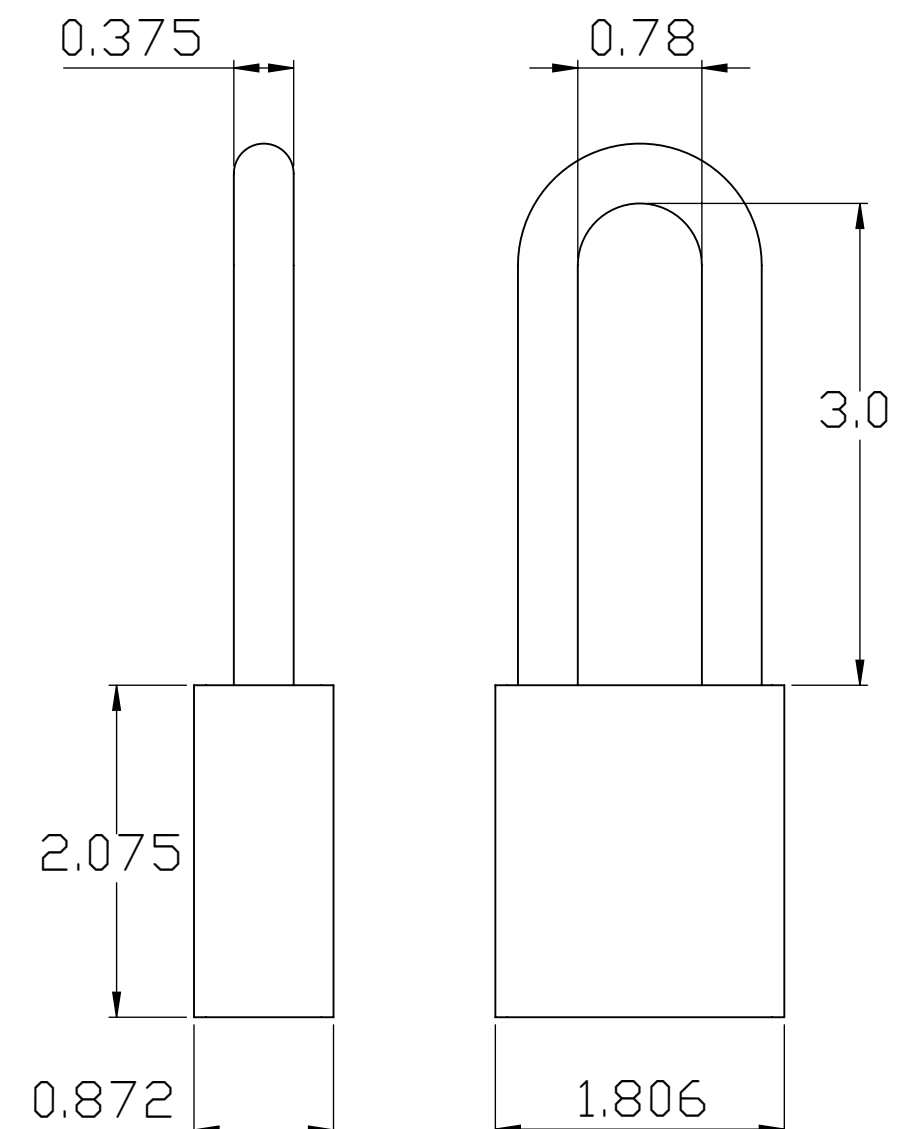
1" SHACKLE

AVAILABLE IN
 CASE HARDENED STEEL
 STAINLESS STEEL



2" SHACKLE

AVAILABLE IN
 CASE HARDENED STEEL
 STAINLESS STEEL



3" SHACKLE

AVAILABLE IN
 CASE HARDENED STEEL
 STAINLESS STEEL

UNLESS OTHERWISE SPECIFIED: DIMENSIONS ARE IN INCHES TOLERANCES: 0 ±.020 .00 ±.010 .000 ±.003 ANGULAR: ±1 DEGREE	DRAWN	J. Fleagane	5/10/18	PACIFIC LOCK COMPANY 25605 Hercules Street, Valencia CA 91355 Tel: (888)562-5565 Fax: (661)294-3097
	ENG APPROVAL	J. Fleagane	5/10/18	
	MFG APPROVAL			
	MATERIAL			
FINISH				SIZE DWG. NO. REV
DO NOT SCALE DRAWING				C LFIC-ASSA-3 Series Tech Data Sheet
				SCALE: 1:1 WEIGHT: SHEET 1 OF 1