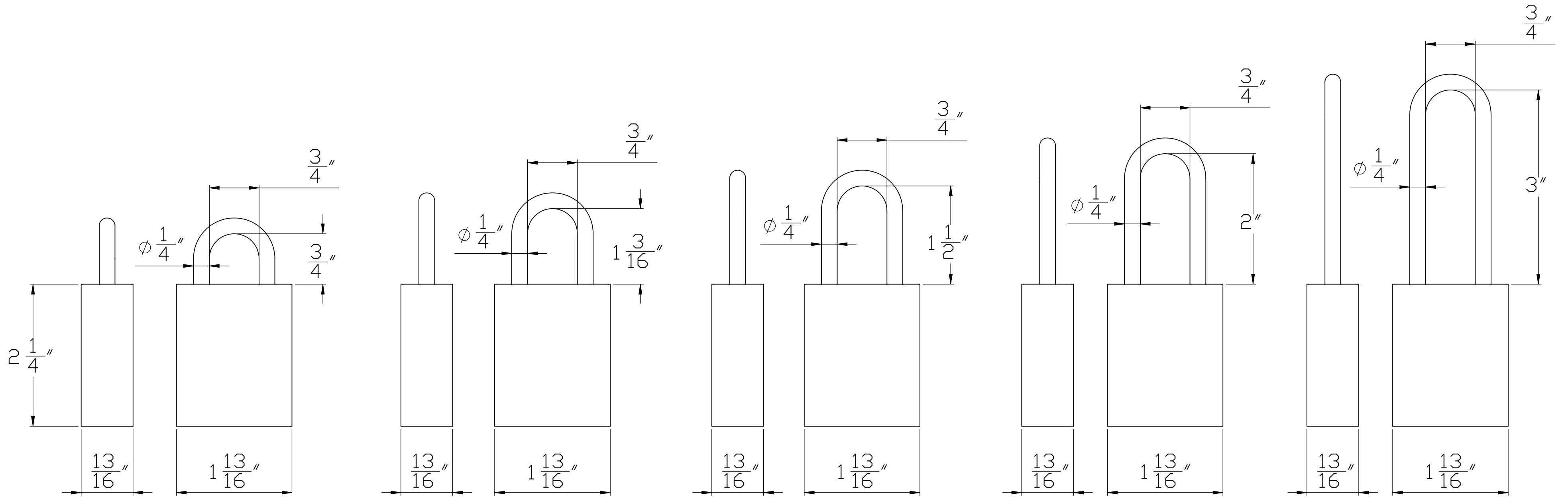


NOTES:

LFIC-6Y-1 BRASS SERIES

MATERIAL: SOLID BRASS PADLOCK BODY.
 FINISH: ELECTROLESS NICKEL PLATED BODY, CHROME ELECTROPLATED SHACKLE.
 CYLINDER: LARGE FORMAT INTERCHANGEABLE (LFIC) CYLINDER (NOT INCLUDED).
 INTERNAL: DUAL BALL-BEARING TOE AND HEEL LOCKING DESIGN



3/4" SHACKLE

AVAILABLE IN
CASE HARDENED STEEL

1" SHACKLE

AVAILABLE IN
CASE HARDENED STEEL
STAINLESS STEEL

1-1/2" SHACKLE

AVAILABLE IN
CASE HARDENED STEEL

2" SHACKLE

AVAILABLE IN
CASE HARDENED STEEL
STAINLESS STEEL

3" SHACKLE

AVAILABLE IN
CASE HARDENED STEEL
STAINLESS STEEL

UNLESS OTHERWISE SPECIFIED:		NAME	DATE	PACIFIC LOCK COMPANY 25605 Hercules Street, Valencia CA 91355 Tel: (888)562-5565 Fax: (661)294-3097	
DIMENSIONS ARE IN INCHES		DRAWN	M. Yuen		1/26/15
TOLERANCES:		ENG APPROVAL	M. Yuen		1/26/15
0 ±.020		MFG APPROVAL			
.00 ±.010		TITLE:			
.000 ±.003		SIZE DWG. NO. REV			
ANGULAR: ±1 DEGREE		C LFIC-6Y-1 Series Tech Data Sheet			
MATERIAL		SCALE: 1:1 WEIGHT: SHEET 1 OF 1			
FINISH					
DO NOT SCALE DRAWING					