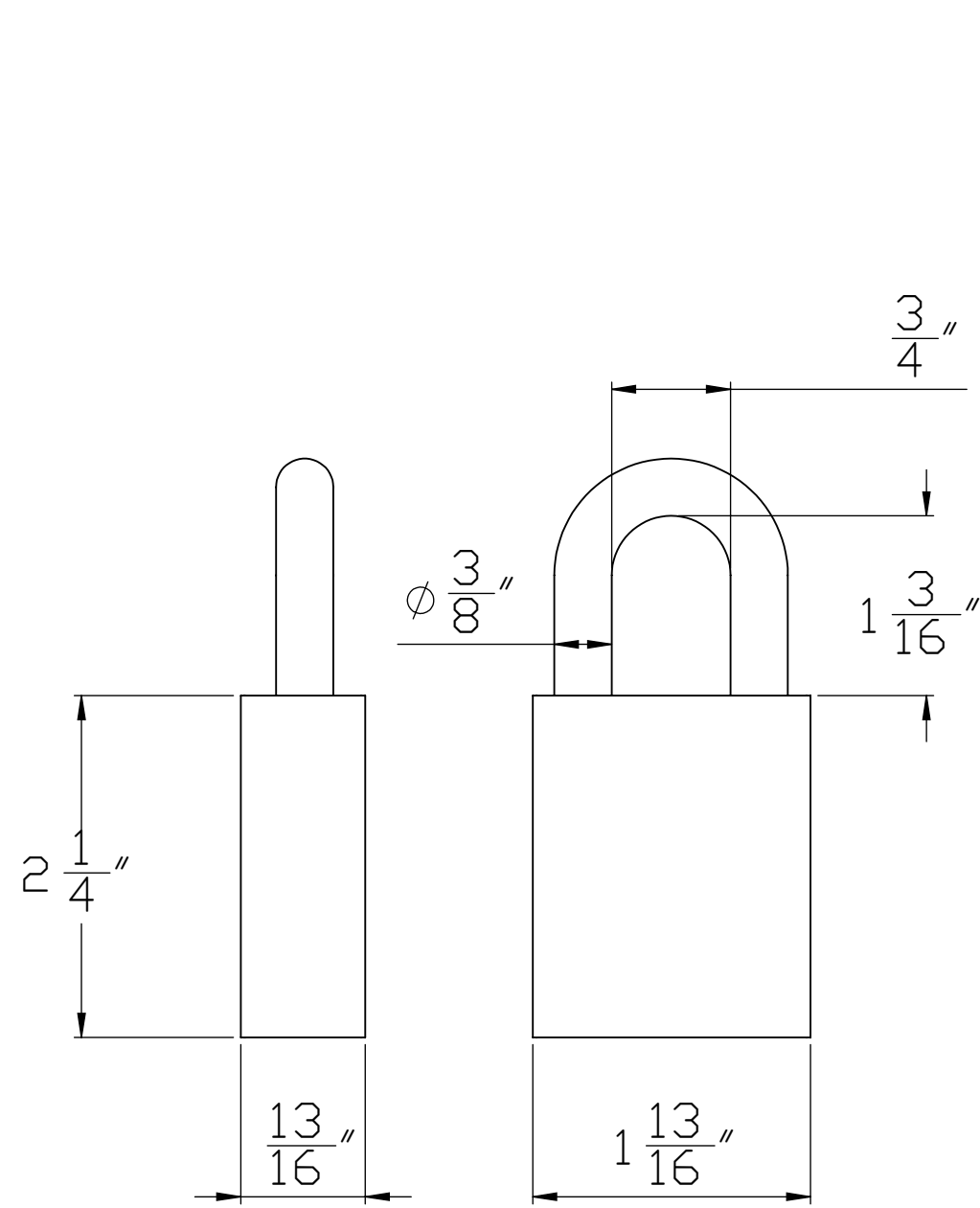


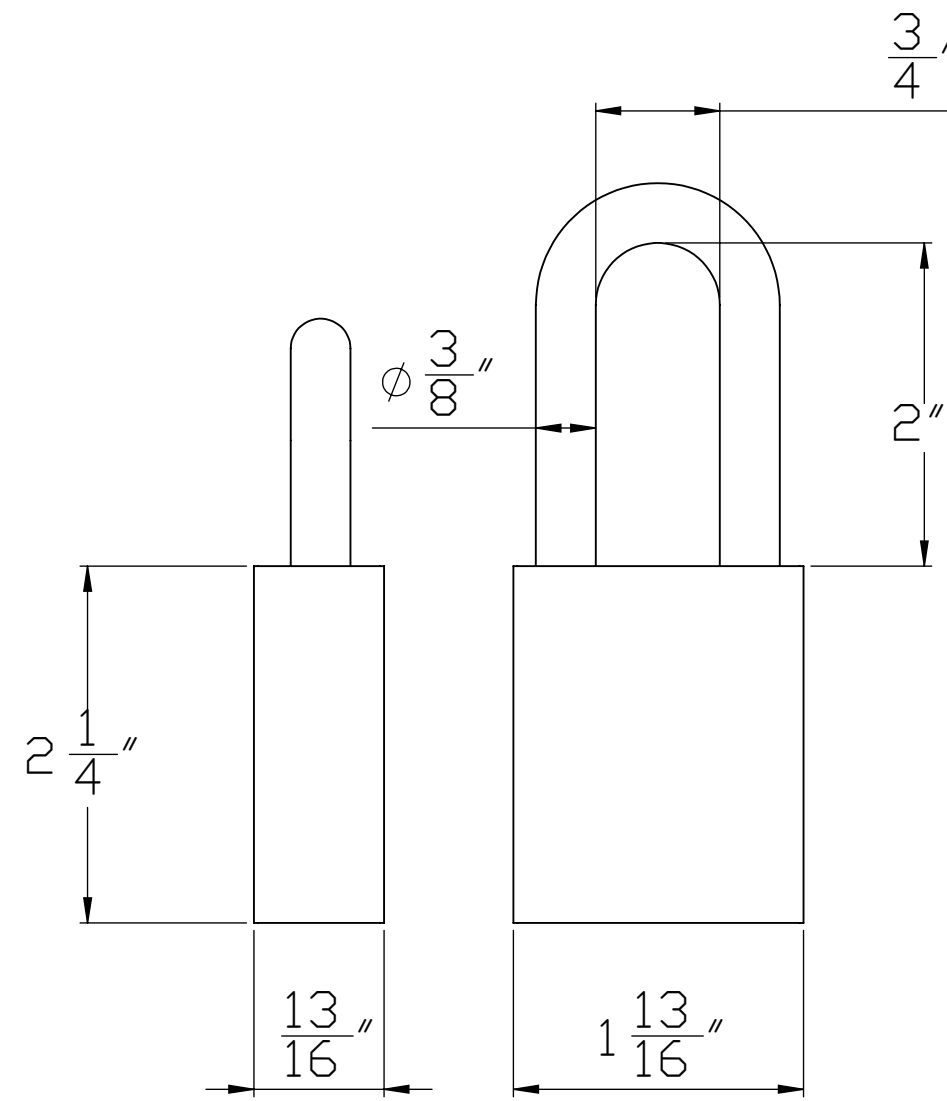
NOTES:

LFIC-6Y-3 BRASS SERIES

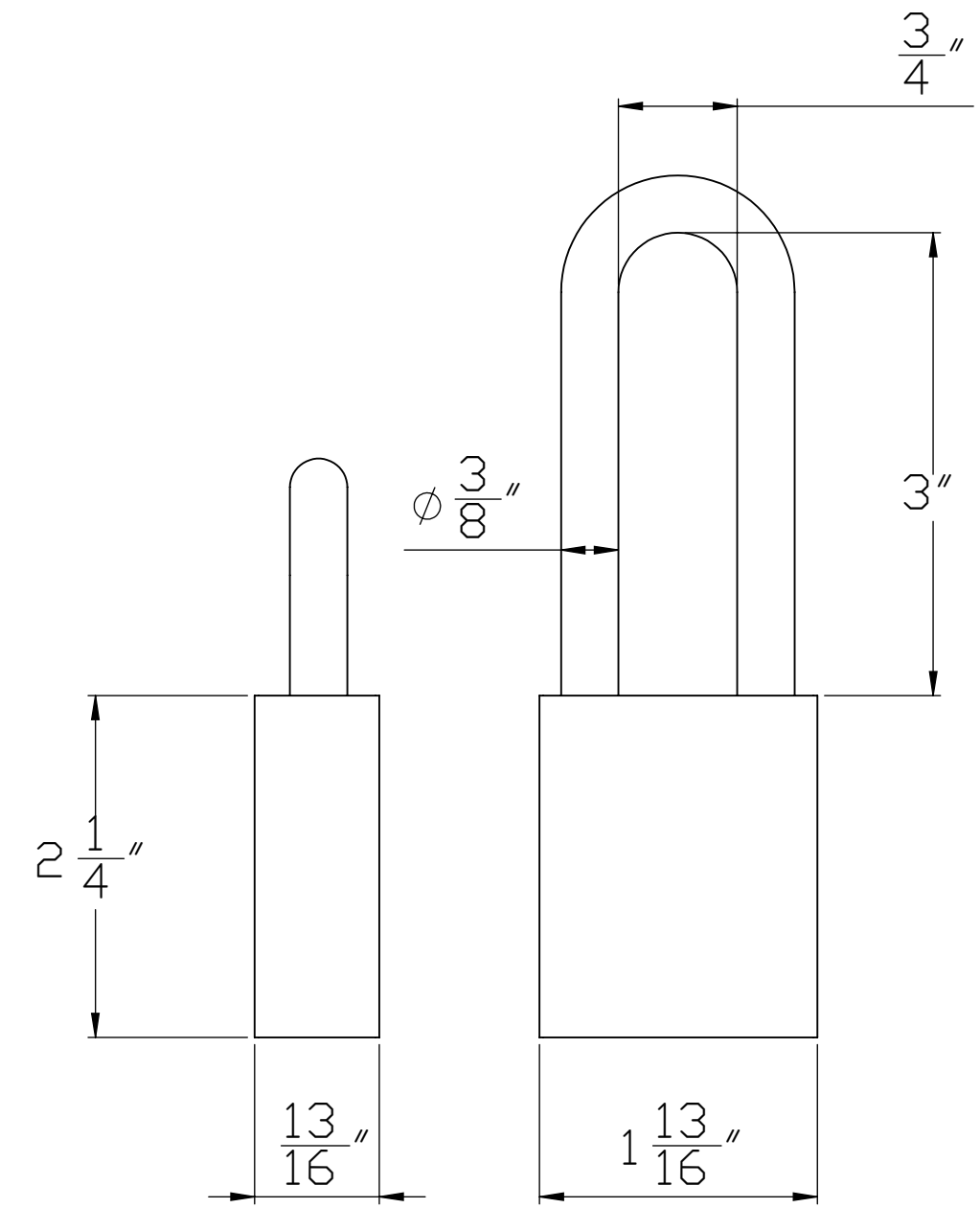
MATERIAL: SOLID BRASS PADLOCK BODY.
 FINISH: ELECTROLESS NICKEL PLATED BODY, CHROME ELECTROPLATED SHACKLE.
 CYLINDER: LARGE FORMAT INTERCHANGEABLE (LFIC) CYLINDER (NOT INCLUDED).
 INTERNAL: DUAL BALL-BEARING TOE AND HEEL LOCKING DESIGN



1" SHACKLE
 AVAILABLE IN
 CASE HARDENED STEEL
 STAINLESS STEEL



2" SHACKLE
 AVAILABLE IN
 CASE HARDENED STEEL
 STAINLESS STEEL



3" SHACKLE
 AVAILABLE IN
 CASE HARDENED STEEL
 STAINLESS STEEL

UNLESS OTHERWISE SPECIFIED: DIMENSIONS ARE IN INCHES TOLERANCES: 0 ±.020 .00 ±.010 .000 ±.003 ANGULAR: ±1 DEGREE	DRAWN	M. Yuen	1/29/15	PACIFIC LOCK COMPANY 25605 Hercules Street, Valencia CA 91355 Tel: (888)562-5565 Fax: (661)294-3097
	ENG APPROVAL	M. Yuen	1/29/15	
	MFG APPROVAL			
	MATERIAL			
FINISH				SIZE DWG. NO. REV C LFIC-6Y-3 Series Tech Data Sheet
DO NOT SCALE DRAWING				SCALE: 1:1 WEIGHT: SHEET 1 OF 1