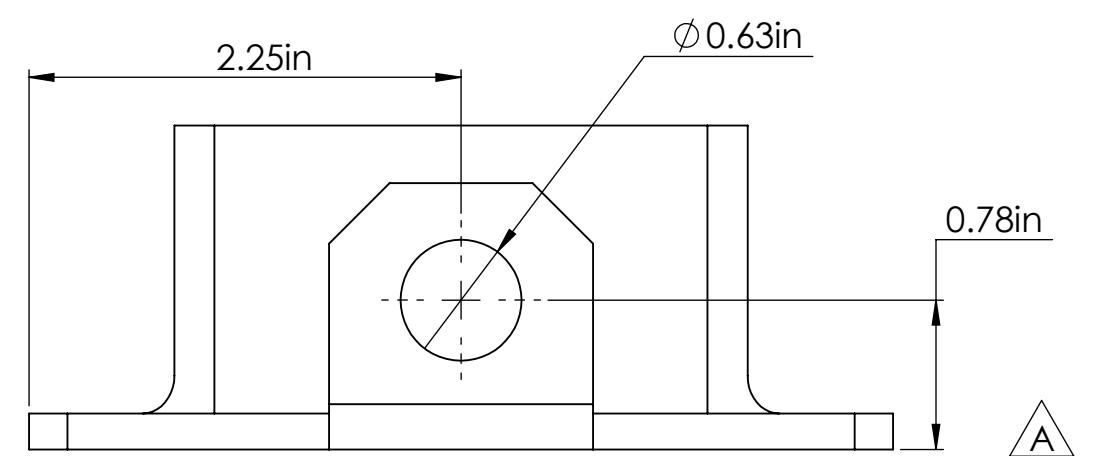
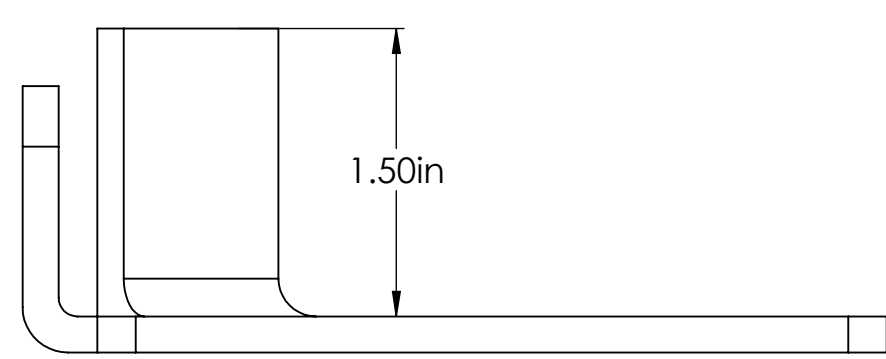
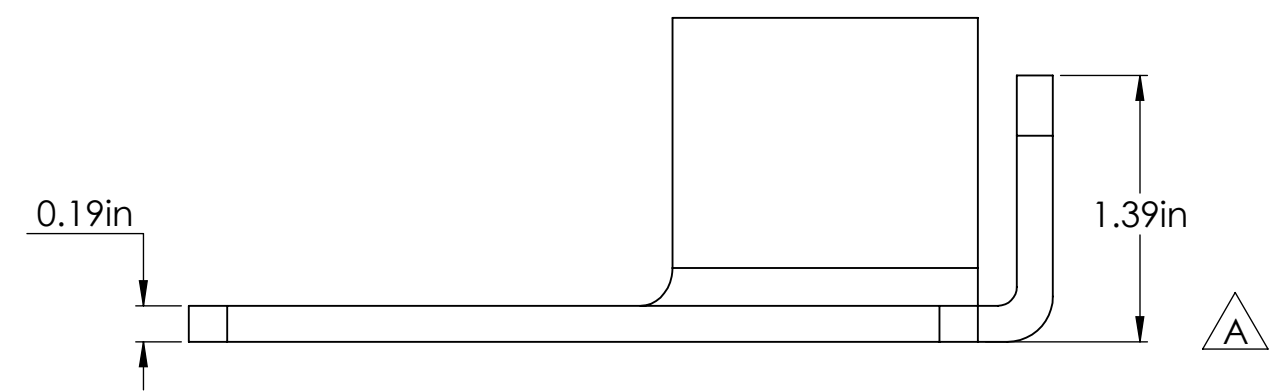
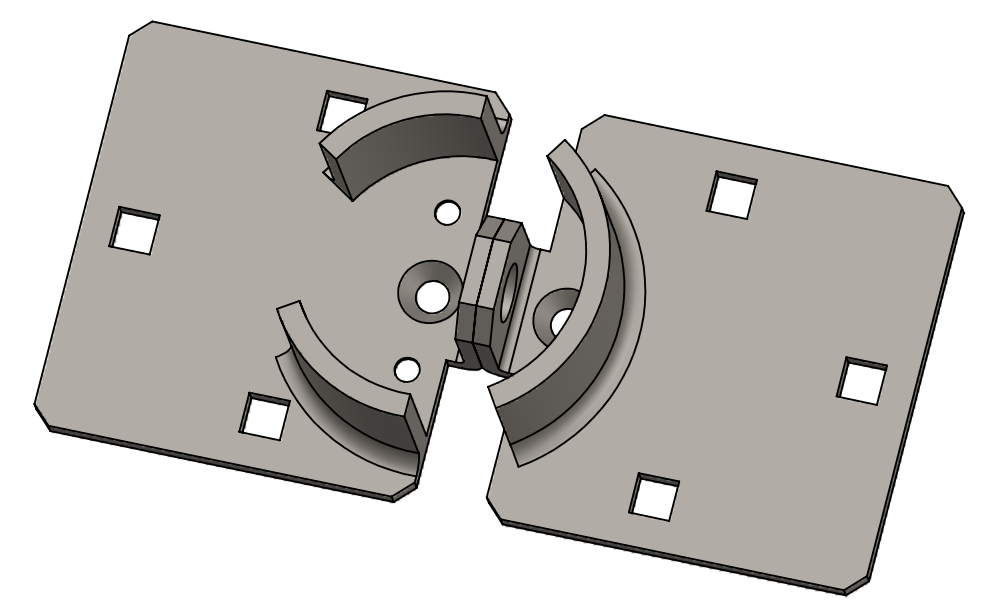
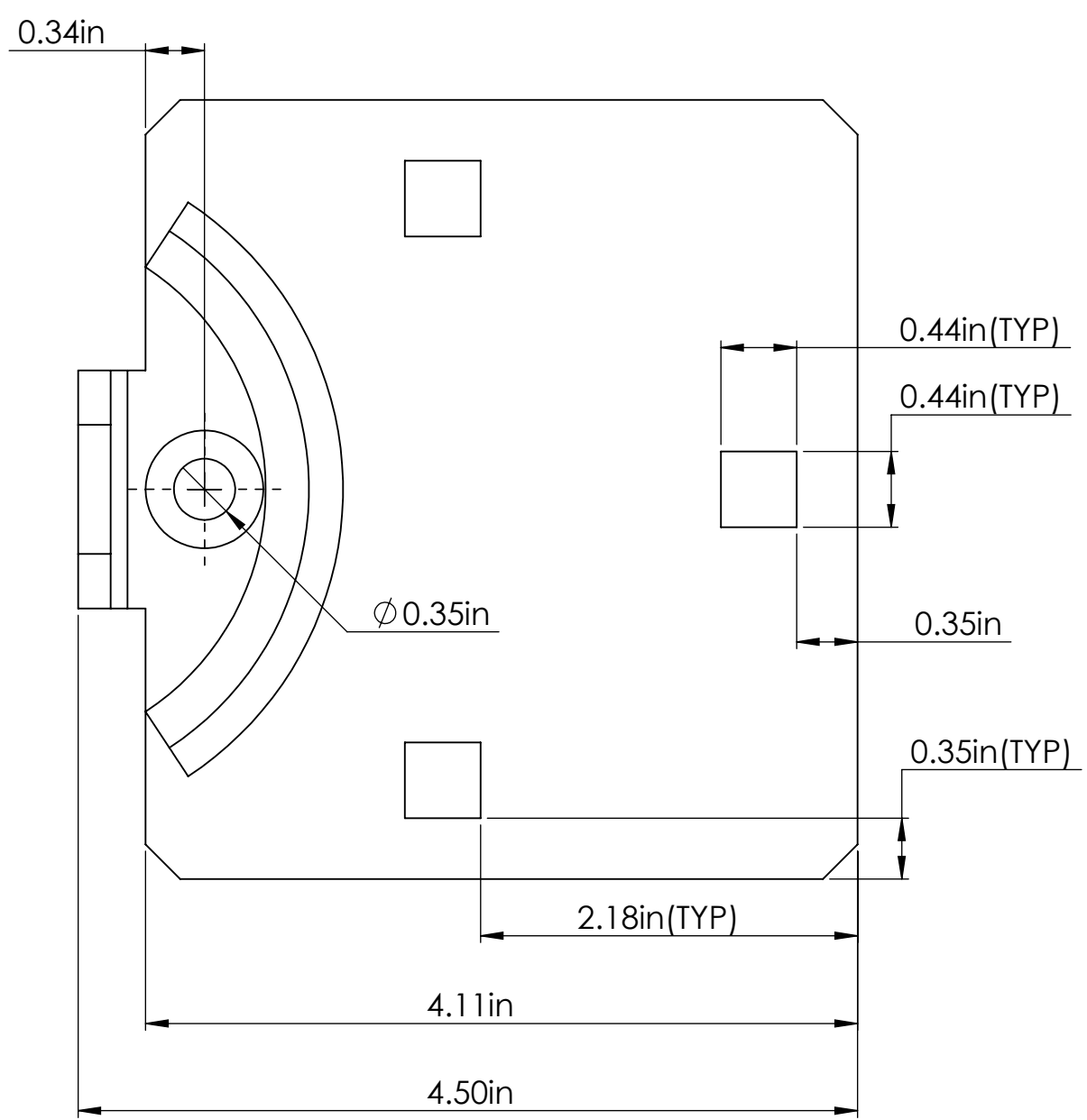
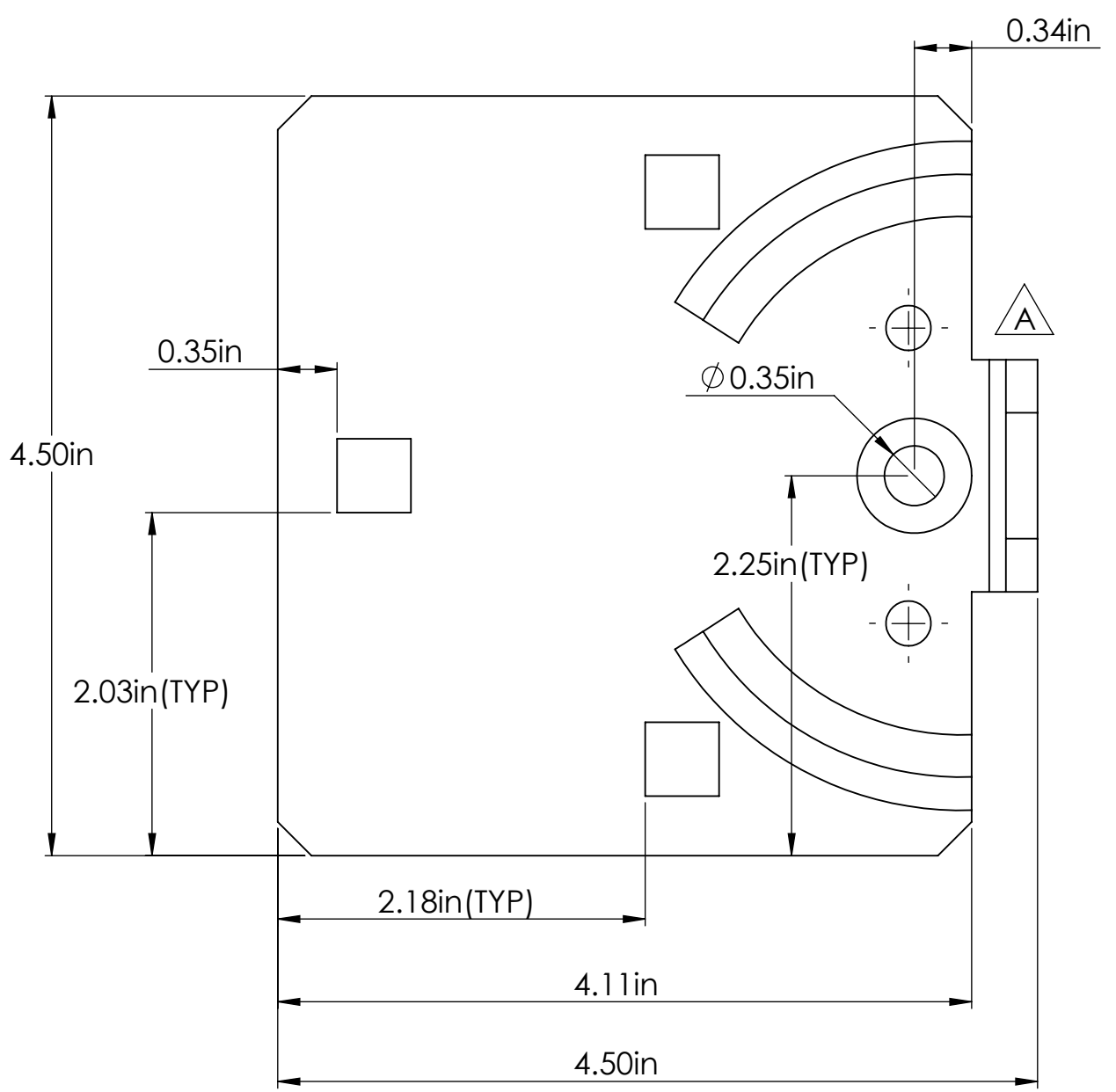


REVISIONS				
ZONE	REV.	DESCRIPTION	DATE	APPROVED
	A	Added hidden mounting holes, included side and front views	9/8/2016	JF



UNLESS OTHERWISE SPECIFIED: DIMENSIONS ARE IN INCHES TOLERANCES: 0 ±.020 .00 ±.010 .000 ±.003 ANGULAR: ±1 DEGREE	DRAWN	M. Yuen	4/23/15	PACIFIC LOCK COMPANY 25605 Hercules Street, Valencia CA 91355 Tel: (888)562-5565 Fax: (661)294-3097						
	ENG APPROVAL	M. Yuen	4/23/15							
	MFG APPROVAL									
	MATERIAL	3/16" THICK (CRS) STEEL			TITLE:					
FINISH	Clear Zinc			<table border="1"> <tr> <td>SIZE</td> <td>DWG. NO.</td> <td>REV</td> </tr> <tr> <td>C</td> <td>PL770 Tech Data Sheet</td> <td>A</td> </tr> </table>	SIZE	DWG. NO.	REV	C	PL770 Tech Data Sheet	A
SIZE	DWG. NO.	REV								
C	PL770 Tech Data Sheet	A								
DO NOT SCALE DRAWING				<table border="1"> <tr> <td>SCALE: 1:2</td> <td>WEIGHT:</td> <td>SHEET 1 OF 1</td> </tr> </table>	SCALE: 1:2	WEIGHT:	SHEET 1 OF 1			
SCALE: 1:2	WEIGHT:	SHEET 1 OF 1								