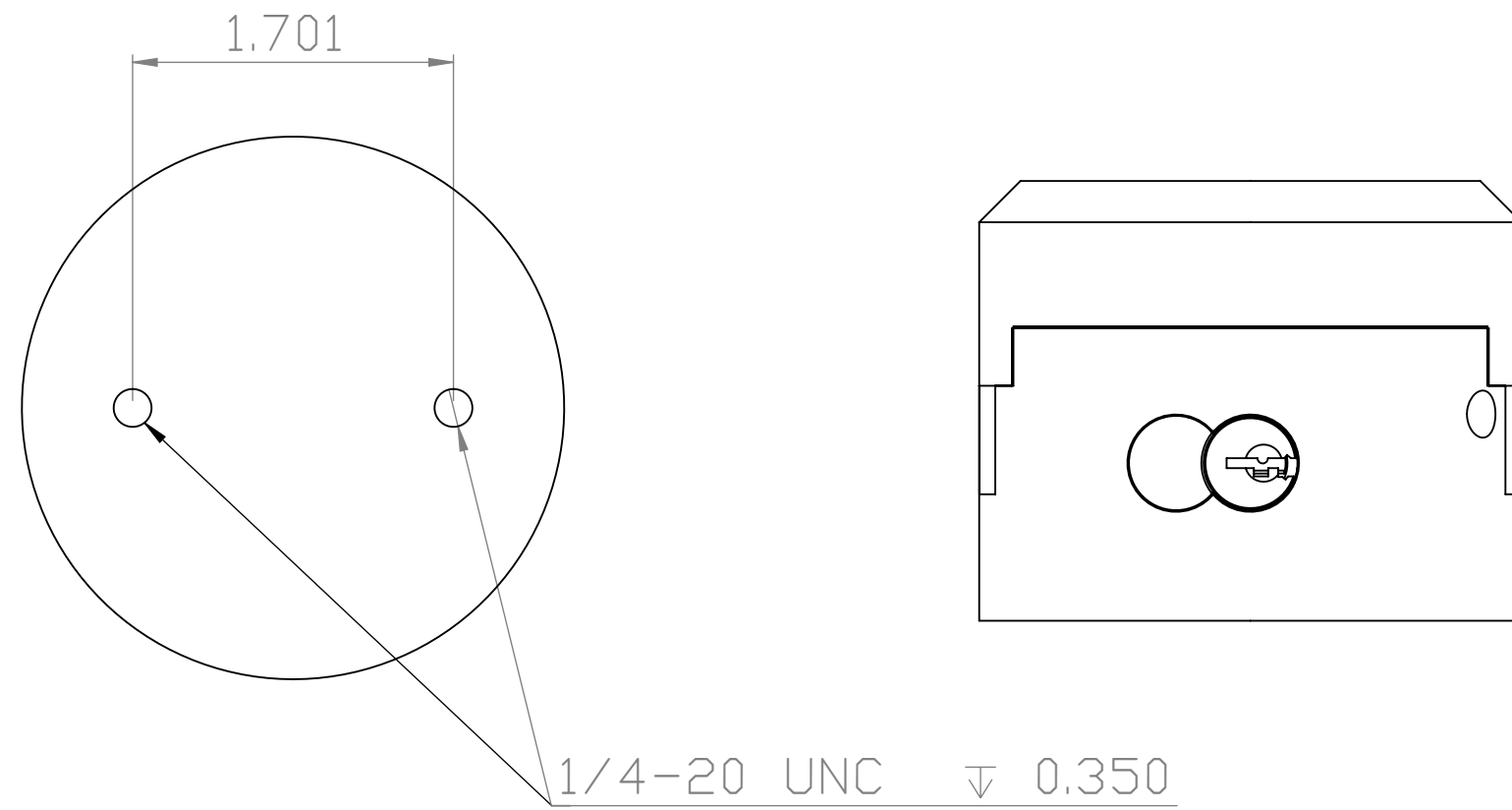
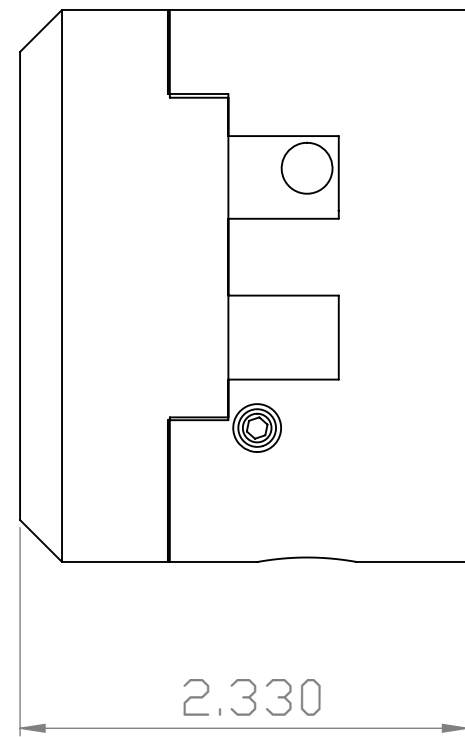
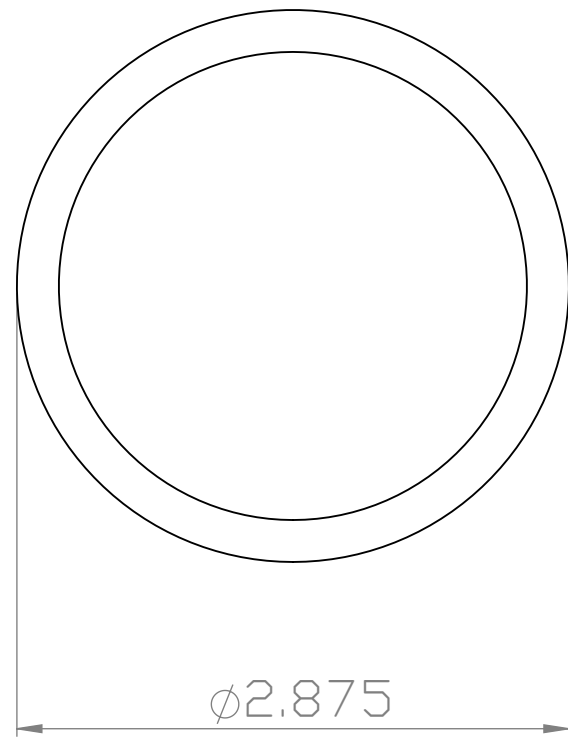


NOTES:

PUCK-LINK ALUMINUM SERIES

MATERIAL: SOLID ALUMINUM PADLOCK BODY.  
 FINISH: ANODIZED BODY.  
 CYLINDER: 6-PIN, HIGH SECURITY SERRATED AND SPOOL TOP PINS, BUMP-RESISTANT DRIVER PIN.  
 CHAIN: WORKS WITH 1/4 AND 5/16 INCH SQUARE CHAIN.



UNLESS OTHERWISE SPECIFIED:		NAME	DATE	<b>PACIFIC LOCK COMPANY</b> 25605 Hercules Street, Valencia CA 91355 Tel: (888)562-5565 Fax: (661)294-3097			
DIMENSIONS ARE IN INCHES		DRAWN	M. Yuen		9/25/17		
TOLERANCES:		ENG APPROVAL	M. Yuen		9/25/17		
0 ±.020 .00 ±.010 .000 ±.003 ANGULAR: ±1 DEGREE		MFG APPROVAL			TITLE:		
MATERIAL					SIZE	DWG. NO.	REV
FINISH					C	PUCK-LINK UV Tech Data	
DO NOT SCALE DRAWING					SCALE: 2:1	WEIGHT:	SHEET 1 OF 1